



2013 LG LED LIGHTING





LG LIGHTING

LG Electronics is the only brand that provides comprehensive solutions to vitalize you and your business at less cost of the natural environment.

Create optimal environments for people to live, work and relax.
Provide effective solutions for customers as a trusted partner.
Coexist with nature through sustainability.

LG LIGHTING brightens your future with innovative technology.

CONTENTS

| 004

INTRO

LG GREEN INNOVATION
LG HISTORY OF INNOVATION
INNOVATION IN LG LIGHTING

| 010

LAMP

012 LG LED PAR LAMP
PAR16 (3.5W / 5.5W / 7W)
PAR30 (13.4W)

018 LG LED MR16 LAMP
4W / 6W

022 LG LED BULB
BULB (7.5W / 12.8W / 14W)
CANDLE (2W)

028 LG LED TUBE
22W (1,200mm)
24W (1,500mm)

| 032

INDOOR LUMINAIRE

034 LG LED PENDANT LIGHT
SlimART SATIN
SlimART EYE
SlimART TWINKLE

042 LG LED FLAT LIGHT
40W (T-BAR / M-BAR)
50W (T-BAR / M-BAR)
53W (T-BAR / M-BAR)
60W (T-BAR / M-BAR)

056 LG LED DOWNLIGHT
8W (4 INCH)
15W (6 INCH)
23W (6 INCH)
37W (8 INCH)

| 066

INDUSTRIAL

068 LG LED HIGH-BAY
70W / 90W / 120W / 180W

074 LG LED STREET LIGHT
90W / 150W / 200W
32W / 62W

| 086

PLS

088 LG PLS HIGH-BAY
700W

088 FLOOD LIGHT
1kW / 1.8kW

| 096

REFERENCE SITE

LG LED LIGHTING REFERENCE SITE
LG LIGHTING PLS REFERENCE SITE
LG LED LIGHTING CASE STUDY

LG GREEN INNOVATION

LG Lighting enriches your future by providing Green technology.

In today's modern world, optimal living often comes at the expense of causing harm to the environment. Yet our health and well-being are two values that should never be compromised.

In order to achieve a balance between these two needs, LG Lighting provides products and solutions for those who seek comfortable lives in a more innovative and greener way.

LG Lighting remains committed to providing reliable and energy-efficient solutions for both your family and business so that you can live in a better environment without hurting Mother Nature.

Thanks to our innovative technology, our lighting solutions are safe to use for your home and deliver cost-effective solutions for your office environment.

At LG, we provide ourselves in protecting the planet. From production to disposal, we use eco-friendly resources and components only to ensure our products keep the Earth green for next generations.

LIFE'S GOOD
WHEN IT'S GREEN...



CO₂ Emission Reduction



Energy Efficiency Enhancement







Resource Recyclability



Energy Management Solution

LG HISTORY OF INNOVATION

LG's consistent efforts in innovation have made LG Air Conditioning and Energy Solution a true global leader in HVAC businesses.

				LG Brand Power					
1958	1968	1990	1995	1998	2000	2001	2002	2004	2008
Founded as GoldStar	Manufactured Korea's first air conditioner	Produced first rotary compressor	Changed company name to LG Electronics	Produced Korea's first commercial air conditioner	Became global leading seller of residential air conditioners Developed the solution for world's first internet-enabled refrigerator	Introduced world first picture frame air conditioner	Launched LG HomNet Brand Introduced world first two-in-one air conditioner	Achieved world's highest annual sales in air conditioners of 10 million units	Reached total global sales of 100 million air conditioner units for the first time in the industry



LG Air conditioning and Energy solution(AE) was formed as a part of LG's strategic plans to expand its business horizons to the B2B sector, reinforcing its presence in the commercial products and solutions businesses.

Based on its great success in the consumer market, the new Air conditioning and Energy solution company allows LG to become more competitive in the commercial heating, ventilating, air conditioning(HVAC) and energy businesses worldwide. It also offers cost-efficient and eco-friendly solutions for HVAC and energy.

Through its relentless efforts in innovative and development, LG AE company continuously consolidates its leadership as a global HVAC and energy solution company.

LG AE company is committed to vitalizing the consumers' lives by enriching their living environment with eco-friendly energy solutions, as displayed in the company's brand promise, "Vitalizing you and your environment". To that end, LG AE company lays an emphasis on the clean and efficient technology, Light-Emitting Diode(LED), as an engine for future growth in LG AE company.



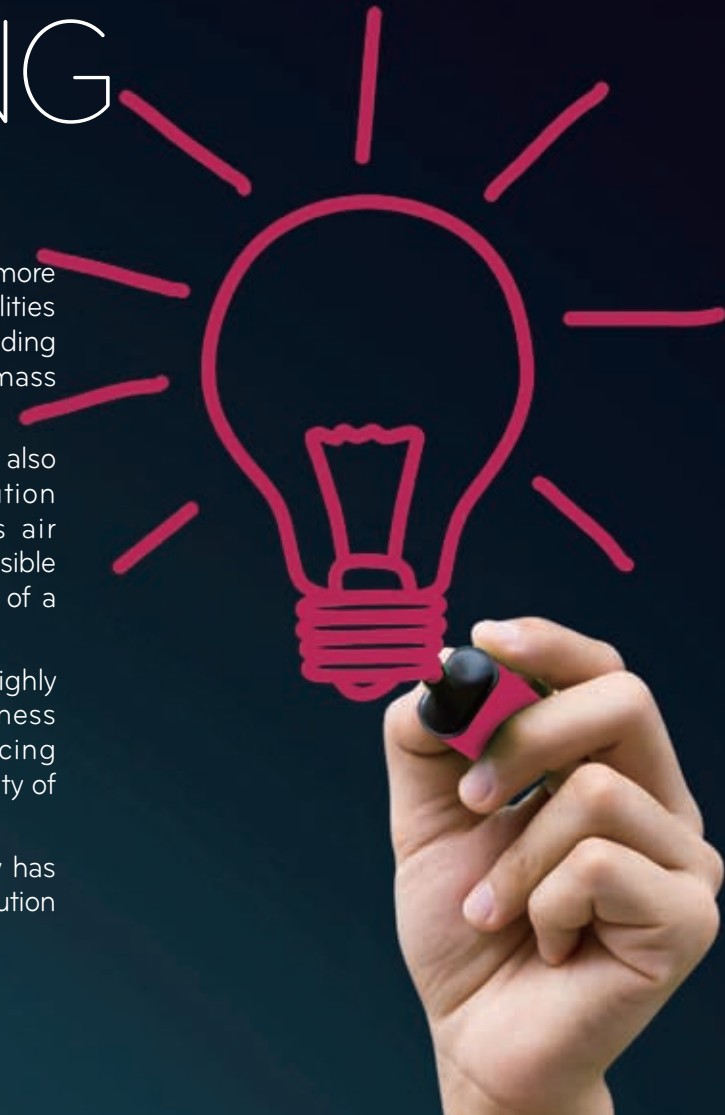
INNOVATION IN LG LIGHTING

LG has integrated the entire value chain and invested more than one billion dollars to construct production facilities with a capacity of over 200 million LED chips, including an advanced production system which enables a mass production of 6-inch wafers.

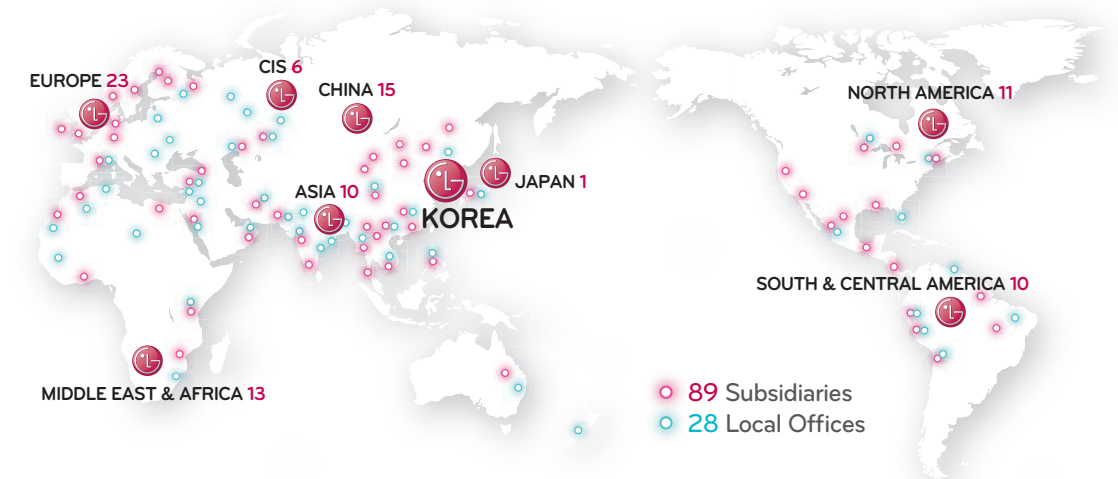
As one of the renowned electronics companies, LG also provides lighting control and management solution integrated with building's equipment such as air conditioning, heating and electricity. This makes it possible to monitor and optimize overall energy consumption of a building.

With a passion for uncompromising quality, LG's highly acclaimed technologies and fully integrated business approach have enabled advancements in reducing manufacturing costs while increasing the product quality of LEDs.

This achievement clearly shows how LG AE company has been positioned to become one of the top energy solution companies and lighting innovations in the world.



Global R&D centers & sales network (117 Global Operations)



Vertical Integration of Value Chains



Full value chains coverage of LG enables economies of scale and technology leadership for cost reduction and product quality improvement.



Global leader in production capacity

LG has set up production facilities with world-leading capacity of LED chips and 6-inch wafers.



Proven technology and design ability

UL / TÜV Rheinland approval laboratory in LED lighting

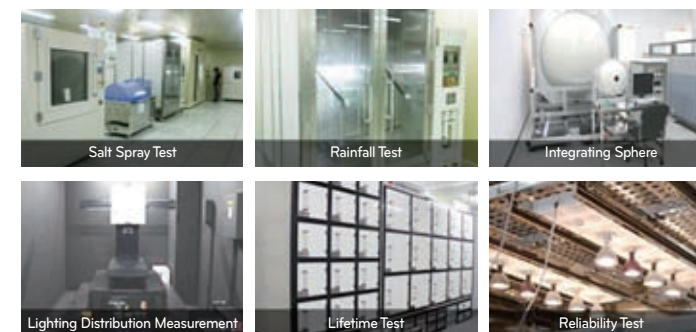


Design excellence recognized by prestigious awards



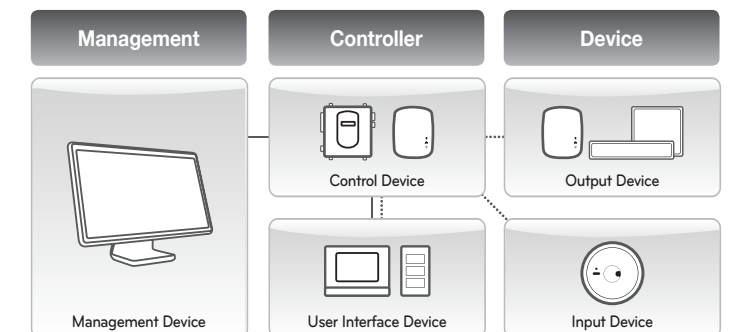
Strict quality control

Testing labs are equipped with certified equipments and facilities to ensure product reliability and leading technology.



Lighting solution integrated total energy management

- Additional energy saving with illuminance sensor and dimming control.
- Provide total solution connected with HVAC system.



LAMP

012

LG LED PAR LAMP

PAR16 (3.5W / 5.5W / 7W)

PAR30 (13.4W)

018

LG LED MR16 LAMP

4W / 6W

022

LG LED BULB

BULB (7.5W / 12.8W / 14W)

CANDLE (2W)

028

LG LED TUBE

22W (1,200mm)

24W (1,500mm)





LG LED PAR LAMP

EXCELLENT ALTERNATIVE

High light output and high CRI for better presentation of exhibits (PAR16 7W 2700K: 47lm/W, 83Ra). Neither light flickering, nor hazardous wavelengths deteriorate exhibits.



HALOGEN LAMP

LG LED PAR LAMP

SAVE ENERGY

Significant energy saving up to 80% through simple replacement compared to conventional halogen lamp.



LONG LASTING

Built with reliability in mind, enjoy substantially longer life and reduced cost. Once installed, the product operates for over 25,000 hours.



LG LED PAR LAMP



HALOGEN LAMP

0 1 2 3 25,000 hour

EXCELLENT COMPATIBILITY

Excellent replacement of conventional halogen lamp with perfect-fit dimension.



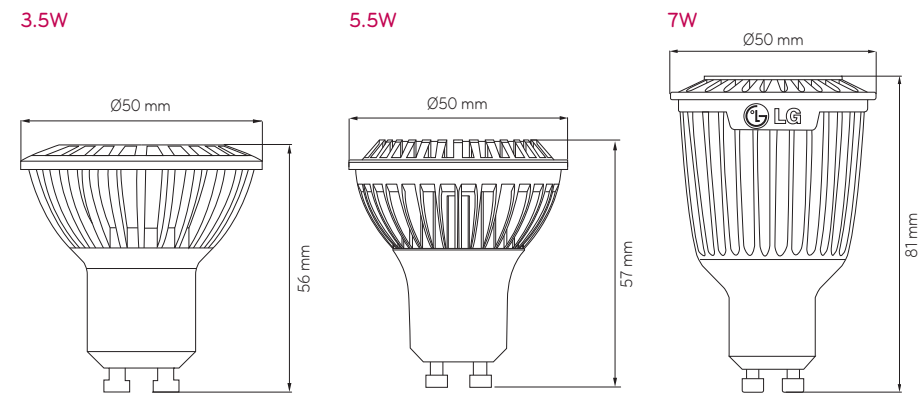
LG LED PAR lamp is the perfect solution for a sensible interior decoration. Perfect decorative lighting for department stores, racks, hotels, corridors, stairways, cafes, and small shops.



LAMP

LG LED PAR16

3.5W
(25W Replacement)
5.5W
(35W Replacement)
7W
(50W Replacement)




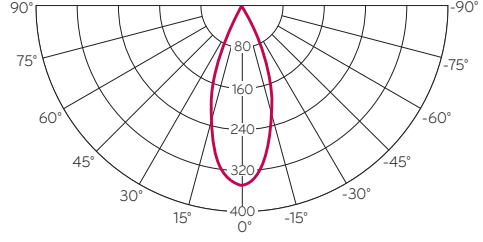
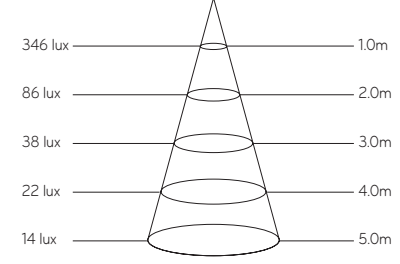

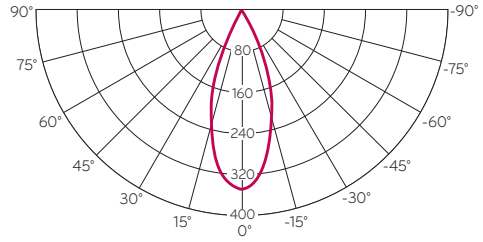
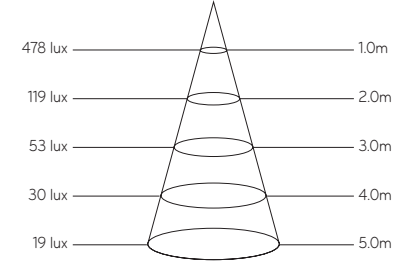

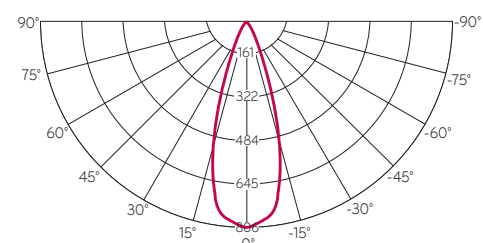
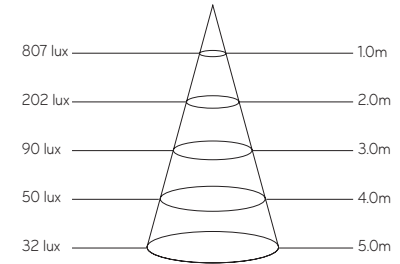
5.5W

MODEL.NO		LPO4N830COZ	P0527U36N1A	P1607CCOGD1
POWER	W	3.5	5.5	7
LUMINOUS FLUX	lm	165	270	330
LUMINOUS EFFICACY	lm/W	47	49	47
CCT	K	3,000	2,700	2,700
CBCP	cd	350	500	803
CRI	Ra	80	80	83
BEAM ANGLE	°	38	36	35
DIMMING	-	-	-	0*
LIFETIME	hrs	25,000	25,000	40,000
POWER FACTOR	-	≥0.7	≥0.5	≥0.7
SIZE	ØX(H)	50 X 56	50 X 57	50 X 81
NET WEIGHT	g	47	70	129
BASE	-	GU10	GU10	GU10
INPUT VOLTAGE	V/AC	220-240	230	220-230

*Please refer to website (www.lg.com) for dimmer/transformer list *The specifications and certification may be subject to change without prior notice.

PHOTOMETRIC DATA

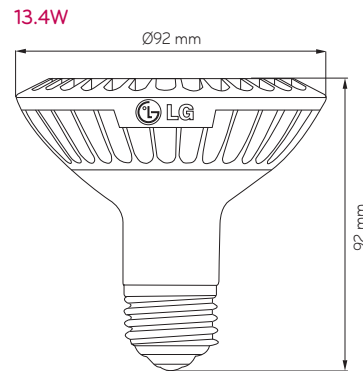


Product	Luminance Intensity Distribution	Cone Lux Diagram
3.5W  LPO4N830COZ		
5.5W  P0527U36N1A		
7W  P1607CCOGD1		

LAMP

LG LED PAR30

13.4W
(75W Replacement)





MODEL.NO		P3S13GC0GD1	P3S13GC5GD1
POWER	W	13.4	13.4
LUMINOUS FLUX	lm	730	850
LUMINOUS EFFICACY	lm/W	55	63
CCT	K	2,700	5,000
CBCP	cd	1,320	1,500
CRI	Ra	83	83
BEAM ANGLE	°	35	35
DIMMING	-	0*	0*
POWER FACTOR	-	≥0.9	≥0.9
LIFETIME	hrs	40,000	40,000
SIZE	ØX(H)	92 X 92	92 X 92
NET WEIGHT	g	260	260
BASE	-	E27	E27
INPUT VOLTAGE	V/AC	220-240	220-240

*Please refer to website (www.lg.com) for dimmer/transformer list. *The specifications and certification may be subject to change without prior notice.

PHOTOMETRIC DATA



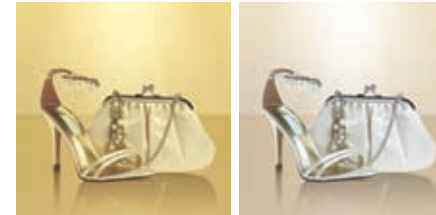
Product	Luminance Intensity Distribution	Cone Lux Diagram
<p>13.4W</p>  <p>P3S13GC0GD1</p>		
 <p>P3S13GC5GD1</p>		



LG LED MR16 LAMP

EXCELLENT ALTERNATIVE

High light output and high CRI for better presentation of exhibits (MR16 6W 2700K: 58lm/W, 83Ra). Neither light flickering, nor hazardous wavelengths that deteriorate exhibits.



HALOGEN LAMP

LG LED MR16 LAMP

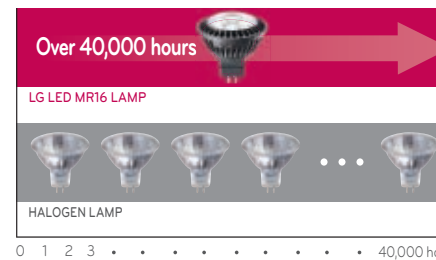
SAVE ENERGY

Significant energy saving up to 80% through simple replacement compared to conventional halogen lamp.



LONG LASTING

Built with reliability in mind, enjoy substantially longer life and reduced cost. Once installed, the product maintains a high performance and operates for over 40,000 hours.



LESS HEAT EMISSION

Replace conventional halogen lamps with LG LED lamps and notice the immediate difference of less heat emission. Installed in display racks, LG LED lamps have no impact on exhibits.



HALOGEN LAMP

LG LED MR16 LAMP

LG LED MR16 provides clean, bright light and creates a very stylish atmosphere. Allow this lamp to show off your space in a whole new light.



MR16 4W

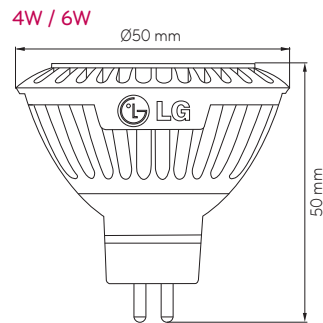


MR16 6W

LAMP

LG LED MR16

4W
(20W Replacement)
6W
(35W Replacement)


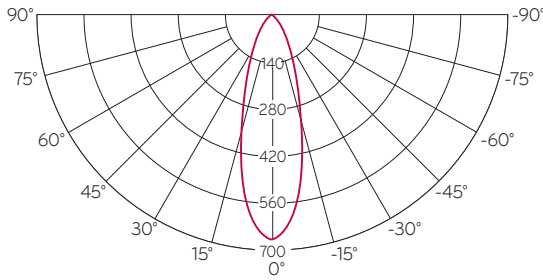
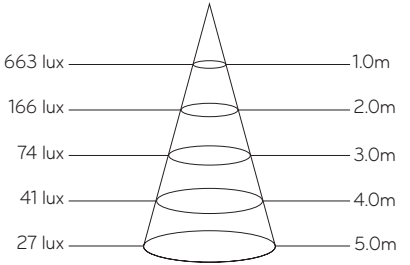

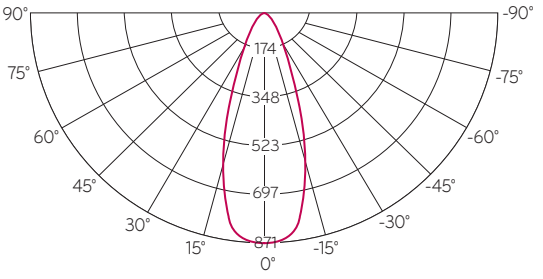
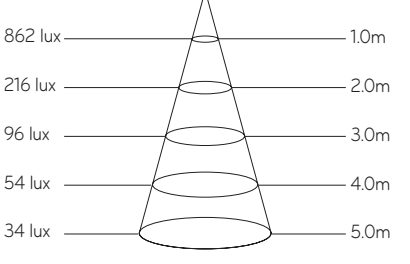

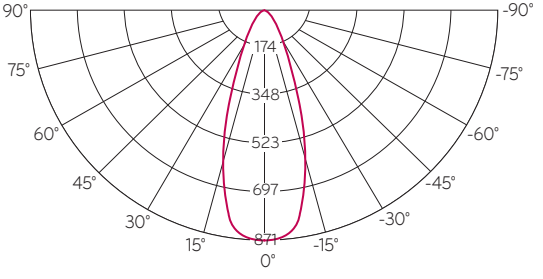
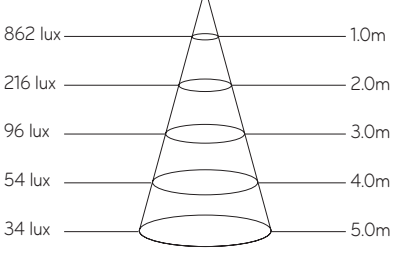


MODEL.NO		M0427U35N5B	M1606BC0ADA	M1607BC0ADD
POWER	W	4	6	6
LUMINOUS FLUX	lm	260	350	350
LUMINOUS EFFICACY	lm/W	65	58	58
CCT	K	2,700	2,700	2,700
CBCP	cd	620	870	870
CRI	Ra	83	83	83
BEAM ANGLE	°	35	35	35
DIMMING	-	-	-	0*
LIFETIME	hrs	40,000	40,000	40,000
SIZE	ØX(H)	50 X 50	50 X 50	50 X 50
NET WEIGHT	g	40	40	41
BASE	-	GU5.3	GU5.3	GU5.3
INPUT VOLTAGE	V/DC	12	12	12

*Please refer to website (www.lg.com) for dimmer/transformer list *The specifications and certification may be subject to change without prior notice.

PHOTOMETRIC DATA

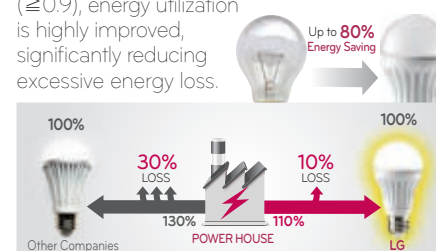


Product	Luminance Intensity Distribution	Cone Lux Diagram
<p>4W</p>  <p>M0427U35N5B</p>		
<p>6W</p>  <p>M1606BC0ADA</p>		
 <p>M1607BC0ADD</p>		

LG LED BULB

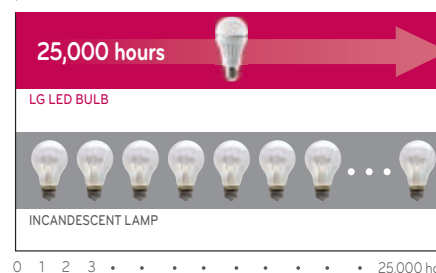
SAVE ENERGY

Save up to 80% energy compared to conventional lamps. With a high power factor (≥ 0.9), energy utilization is highly improved, significantly reducing excessive energy loss.



LONG LASTING

Built with reliability in mind, enjoy substantially longer life and reduced cost. Once installed, the product operates for 25,000 hours. Suitable for places difficult to access.



NATURAL LIGHT

Provide your family with healthy and natural light. No need to worry about the unpleasant glaring and eye fatigue caused by flickering.



EXCELLENT COMPATIBILITY

Rest assured that LG LED bulbs comply with all the toughest standards and are perfect incandescent bulb replacement.



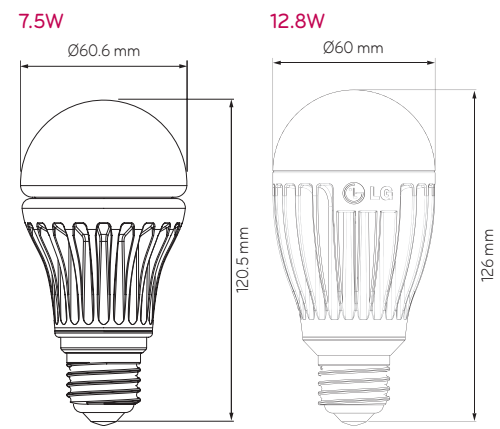
Make full use of LG LED BULB anywhere including the front door, bedroom, kitchen and bathroom. LG LED Lamp will simply change the light quality of your home.



LAMP

LG LED BULB

7.5W
(40W Replacement)
12.8W
(60W Replacement)



MODEL.NO		LB08E827LOA	LB08E830LOA	A1912GDOGEB	A1912GD1GEB
POWER	W	7.5	7.5	12.8	12.8
LUMINOUS FLUX	lm	450	485	810	810
LUMINOUS EFFICACY	lm/W	60	65	63	63
CCT	K	2,700	3,000	2,700	3,000
CRI	Ra	81	83	83	83
BEAM ANGLE	°	140	140	128	128
DIMMING	-	-	-	0*	0*
POWER FACTOR	-	≥0.9	≥0.9	≥0.9	≥0.9
LIFETIME	hrs	25,000	25,000	25,000	25,000
SIZE	∅X(H)	60.6 X 120.5	60.6 X 120.5	60 X 126	60 X 126
NET WEIGHT	g	165	165	250	250
BASE	-	E27	E27	E27	E27
INPUT VOLTAGE	V/AC	220-240	220-240	220-240	220-240

PHOTOMETRIC DATA

7.5W 12.8W

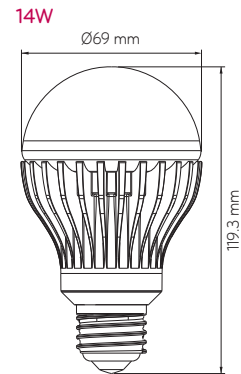
Product	Luminance Intensity Distribution	Cone Lux Diagram
7.5W LB08E827LOA		
 LB08E830LOA		
12.8W A1912GDOGEB		
 A1912GD1GEB		

*Please refer to website (www.lg.com) for dimmer/transformer list *The specifications and certification may be subject to change without prior notice.

LAMP

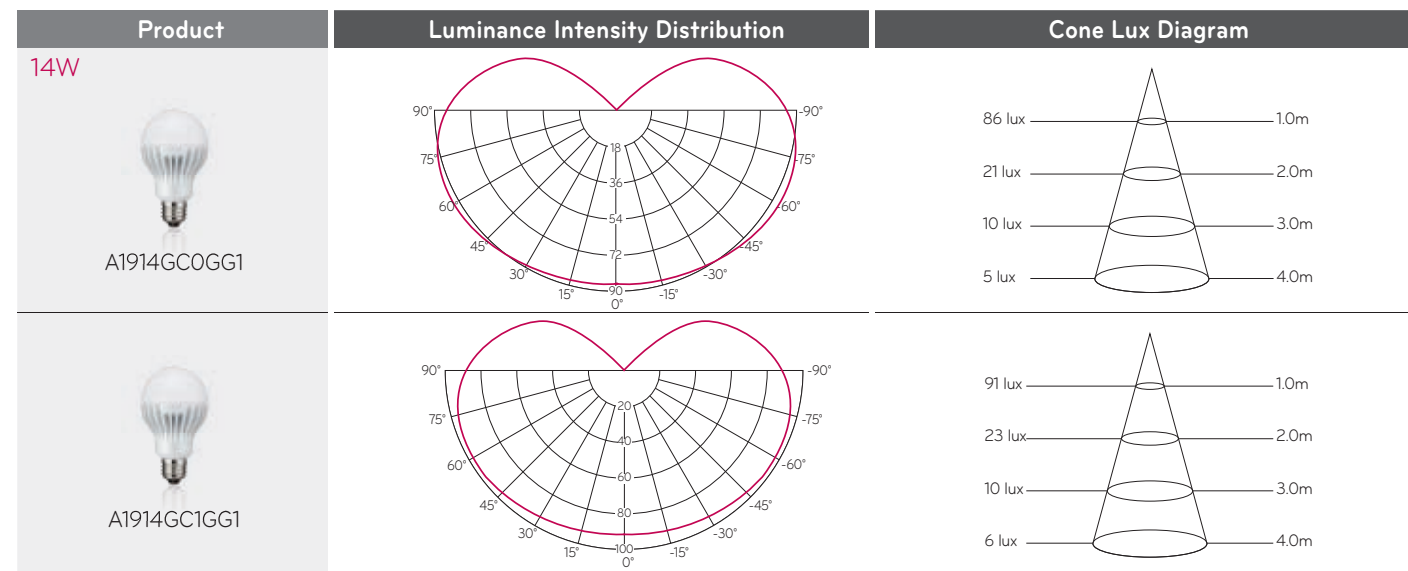
LG LED BULB

14W
(60W Replacement)



MODEL.NO	A1914GC0GG1		A1914GC1GG1	
POWER	W	14	14	14
LUMINOUS FLUX	lm	850	900	900
LUMINOUS EFFICACY	lm/W	61	64	64
CCT	K	2,700	3,000	3,000
CRI	Ra	83	83	83
BEAM ANGLE	°	250	250	250
DIMMING	-	0*	0*	0*
POWER FACTOR	-	≥0.9	≥0.9	≥0.9
LIFETIME	hrs	25,000	25,000	25,000
SIZE	ØX(H)	69 X 119.3	69 X 119.3	69 X 119.3
NET WEIGHT	g	220	220	220
BASE	-	E27	E27	E27
INPUT VOLTAGE	V/AC	220-240	220-240	220-240

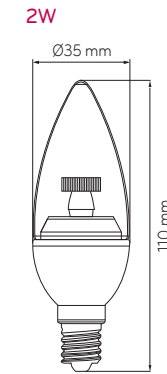
*Please refer to website (www.lg.com) for dimmer/transformer list. *The specifications and certification may be subject to change without prior notice.



LAMP

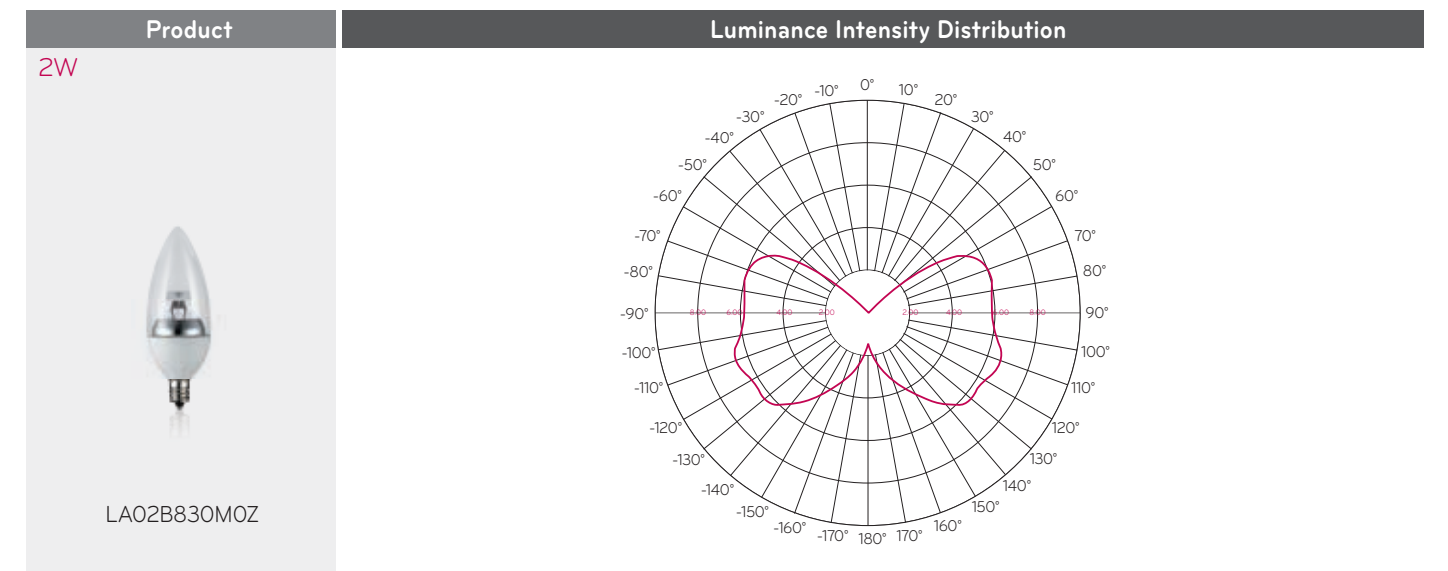
LG LED CANDLE LAMP

2W
(10W Replacement)



MODEL.NO	LA02B830MOZ	
POWER	W	2
LUMINOUS FLUX	lm	60
LUMINOUS EFFICACY	lm/W	30
CCT	K	3,000
CRI	Ra	80
DIMMING	-	-
POWER FACTOR	-	≥0.9
LIFETIME	hrs	20,000
SIZE	ØX(H)	35 X 110
NET WEIGHT	g	48
BASE	-	E14
INPUT VOLTAGE	V/AC	220-240

*The specifications and certification may be subject to change without prior notice.

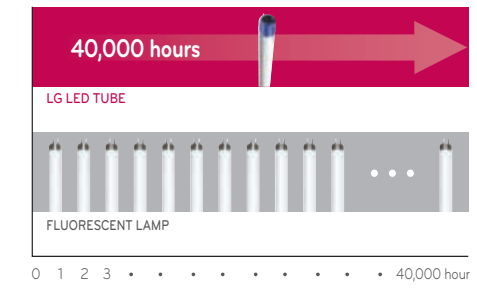




LG LED TUBE

LONG LASTING

Built with reliability in mind, enjoy substantially longer life and reduced cost. Once installed, the product operates for 40,000 hours.



INITIAL INVESTMENT

Perfect replacement of conventional fluorescent lamps without any additional cost. Obtain the advantages of energy saving and maintenance cost reduction without investment in new luminaires and installation.



ENVIRONMENTALLY CONSCIOUS

Replacing fluorescent lamps with LG LED Tube reduces CO₂ emission which has a similar effect of planting 9 trees.



LG LED TUBE with superior color reproduction is designed as perfect fit for existing luminaires. Suitable for offices, hospitals, department stores, parking lots, and public facilities.

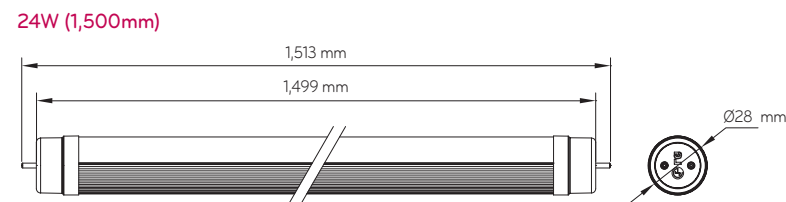
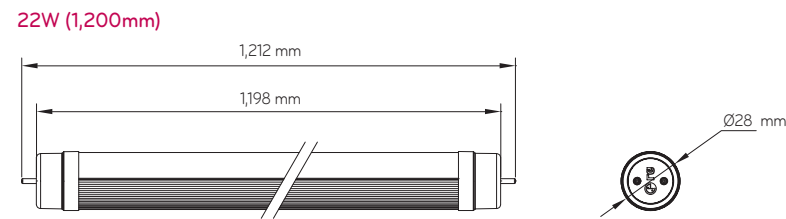


TUBE 22W/24W

LAMP

LG LED TUBE
(SELF BALLASTED)

22W (1,200mm)
24W (1,500mm)



MODEL.NO	T4B22BD1FEA	T4B22BD3FEA	T4B22BD5FEA	T5B24BD1FEA	T5B24BD3FEA	T5B24BD5FEA
POWER	22	22	22	24	24	24
LUMINOUS FLUX	1,750	1,750	1,800	1,950	1,950	2,000
LUMINOUS EFFICACY	80	80	82	81	81	83
CCT	3,000	4,000	5,000	3,000	4,000	5,000
CRI	83	83	83	83	83	83
BEAM ANGLE	120	120	120	120	120	120
DIMMING	-	-	-	-	-	-
POWER FACTOR	≥0.9	≥0.9	≥0.9	≥0.9	≥0.9	≥0.9
LIFETIME	40,000	40,000	40,000	40,000	40,000	40,000
SIZE	1,200	1,200	1,200	1,500	1,500	1,500
NET WEIGHT	430	430	430	490	490	490
BASE	G13	G13	G13	G13	G13	G13
INPUT VOLTAGE	100-240	100-240	100-240	100-240	100-240	100-240

*The specifications and certification may be subject to change without prior notice.

PHOTOMETRIC DATA



Product	Luminance Intensity Distribution	Cone Lux Diagram
22W (1,200mm) T4B22BD1FEA		
T4B22BD3FEA		
T4B22BD5FEA		
24W (1,500mm) T5B24BD1FEA		
T5B24BD3FEA		
T5B24BD5FEA		

INDOOR LUMINAIRE

034

LG LED PENDANT LIGHT(SlimART)

SlimART SATIN
SlimART EYE
SlimART TWINKLE

042

LG LED FLAT LIGHT

40W (T-BAR / M-BAR)
50W (T-BAR / M-BAR)
53W (T-BAR / M-BAR)
60W (T-BAR / M-BAR)

056

LG LED DOWNLIGHT

8W (4 INCH)
15W (6 INCH)
23W (6 INCH)
37W (8 INCH)

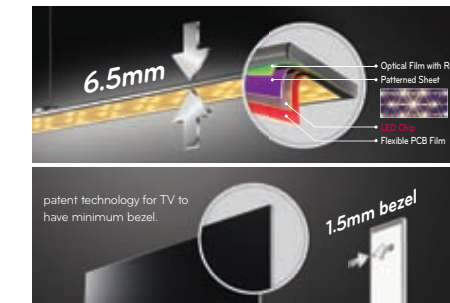




LG LED PENDANT LIGHT SlimART

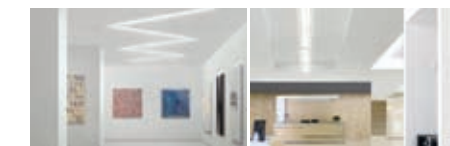
THE WORLD SLIMMEST PENDANT LIGHTING

Ultra-slim 6.5mm width and low heat generating optical structure with ALTM (Alternative Lighting), the world class TV light source technology.



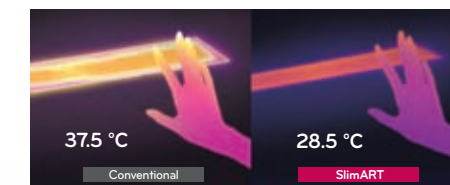
SPACE EFFICIENT LINEAR STRUCTURE

Useful in spacious areas, illuminating for a long period time, such as commercial, industrial, educational and culture facilities. The ultra-slim and unique design of SlimART creates a more sensuous ambiance than the existing linear structure which makes a prosaic atmosphere.



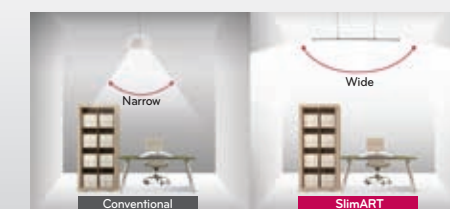
LOW HEAT EMISSION

Even distribution of heat emission from light sources, making pendant surface not hot.



UNIFORM LIGHT EMISSION

Uniform light emission with a surface light source, comparing to existing spot type pendant lightings. It prevents eye strain, providing a comfortable office environment through low glare SlimART performance.



SlimART is the perfect solution for a sensible interior decoration.

Perfect decorative lighting for department stores, racks, hotels, corridors, stairways, cafes, small shops & the home.

CERTIFIED LG SlimART

SlimART has become an award-winner at the International Forum Design Awards 2013, one of the most internationally recognized design contests. LG SlimART is recognized not only for its innovative technology but also for its leading design by various countries in Europe and North America, verifying its stunning quality and unchallenged technology.



CONVENIENT REMOTE CONTROL

SlimART remote control function allows users to adjust lighting to customer their environment easily. Absolutely convenient in any space as users can control lighting by simply pressing buttons.



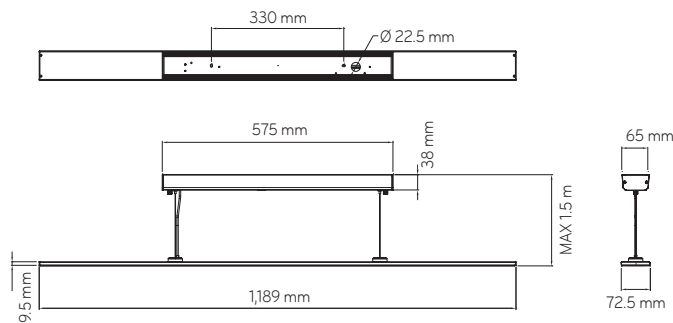
INDOOR LUMINAIRE

SlimART
SATIN

25W



25W



MODEL.NO	A2530TSOYBA	A2530TSO0BA	A2540TSOYBA	A2540TSO0BA	A2550TSOYBA	A2550TSO0BA
POWER	25	25	25	25	25	25
LUMINOUS FLUX	1,720	1,720	1,800	1,800	1,850	1,850
LUMINOUS EFFICACY	68	68	71	71	73	73
CCT	3,000	3,000	4,000	4,000	5,000	5,000
CRI	80	80	80	80	80	80
UGR	25	25	25	25	25	25
BEAM ANGLE	114	114	114	114	114	114
DIMMING	REMOTE CONTROL*	0-10V*	REMOTE CONTROL*	0-10V*	REMOTE CONTROL*	0-10V*
POWER FACTOR	≥0.9	≥0.9	≥0.9	≥0.9	≥0.9	≥0.9
IP	IP30	IP30	IP30	IP30	IP30	IP30
IK	IK07	IK07	IK07	IK07	IK07	IK07
LIFETIME	25,000	25,000	25,000	25,000	25,000	25,000
NET WEIGHT	2	2	2	2	2	2
INPUT VOLTAGE	100-240	100-240	100-240	100-240	100-240	100-240
INSTALLATION	Pendant	Pendant	Pendant	Pendant	Pendant	Pendant

*Remote controller and 0-10V dimmer can be alternatively selected (TRIAC Dimmer X)
*The specifications and certification may be subject to change without prior notice.

PHOTOMETRIC DATA



Product	Luminance Intensity Distribution	Cone Lux Diagram
A2530TSOYBA		
A2530TSO0BA		
A2540TSOYBA		
A2540TSO0BA		
A2550TSOYBA		
A2550TSO0BA		

*The specification is subject to change without notice.

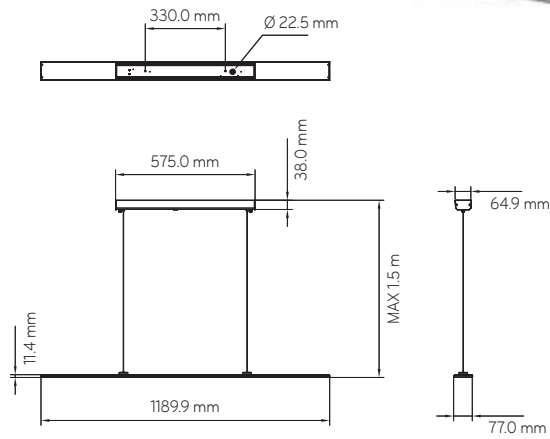
INDOOR LUMINAIRE

SlimART
EYE

25W



25W



MODEL.NO	A2530TE1YBA	A2530TE10BA	A2540TE1YBA	A2540TE10BA
POWER	25	25	25	25
LUMINOUS FLUX	1,600	1,600	1,650	1,650
LUMINOUS EFFICACY	63	63	65	65
CCT	3,000	3,000	4,000	4,000
CRI	80	80	80	80
UGR	19	19	19	19
BEAM ANGLE	83	83	83	83
DIMMING	REMOTE CONTROL*	0-10V*	REMOTE CONTROL*	0-10V*
POWER FACTOR	≥0.9	≥0.9	≥0.9	≥0.9
IP	IP30	IP30	IP30	IP30
IK	IK07	IK07	IK07	IK07
LIFETIME	25,000	25,000	25,000	25,000
NET WEIGHT	2	2	2	2
INPUT VOLTAGE	100-240	100-240	100-240	100-240
INSTALLATION	Pendant	Pendant	Pendant	Pendant

*Remote controller and 0-10V dimmer can be alternatively selected (TRIAC Dimmer X)
*The specifications and certification may be subject to change without prior notice.

PHOTOMETRIC DATA



Product	Luminance Intensity Distribution	Cone Lux Diagram
A2530TE1YBA		
A2530TE10BA		
A2540TE1YBA		
A2540TE10BA		

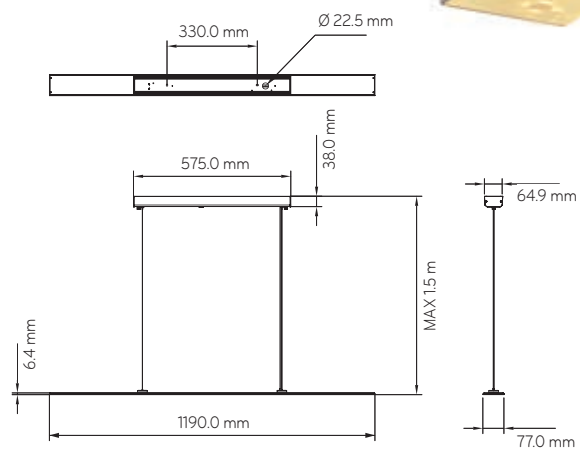
*The specification is subject to change without notice.

INDOOR LUMINAIRE

SlimART
TWINKLE

25W

25W


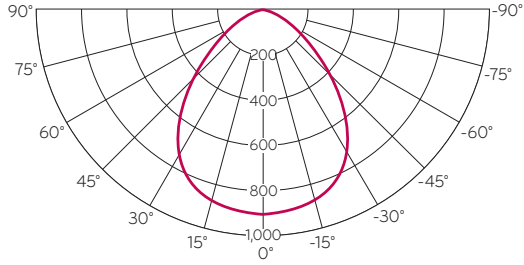
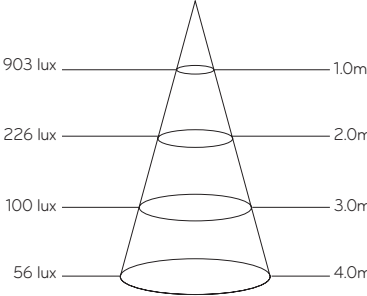

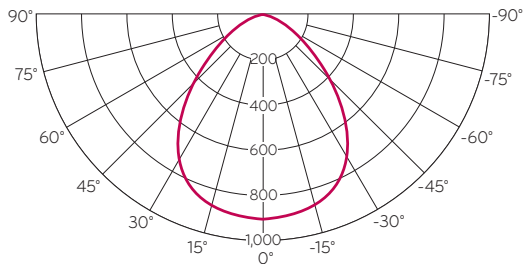
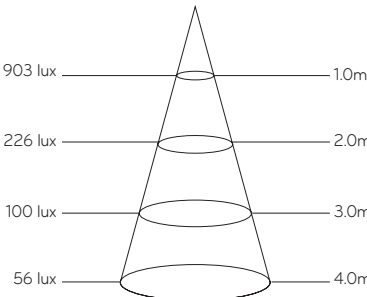


MODEL.NO		A2530TT1YBA	A2530TT10BA
POWER	W	25	25
LUMINOUS FLUX	lm	1,850	1,850
LUMINOUS EFFICACY	LM/W	73	73
CCT	K	3,000	3,000
CRI	Ra	80	80
UGR	-	19	19
BEAM ANGLE	°	83	83
DIMMING	-	REMOTE CONTROL*	0-10V*
POWER FACTOR	-	≥0.9	≥0.9
IP	-	IP30	IP30
IK	-	IK07	IK07
LIFETIME	Hrs	25,000	25,000
NET WEIGHT	Kg	2	2
INPUT VOLTAGE	V/AC	100-240	100-240
INSTALLATION	-	PENDANT	PENDANT

*Remote controller and 0-10V dimmer can be alternatively selected (TRIAC Dimmer X)
*The specifications and certification may be subject to change without prior notice.

PHOTOMETRIC DATA



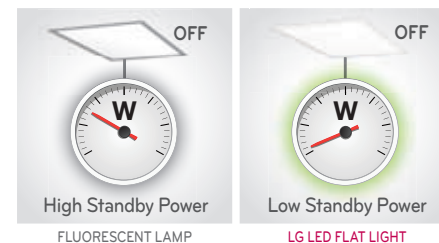
Product	Luminance Intensity Distribution	Cone Lux Diagram
 A2530TT1YBA		
 A2530TT10BA		

*The specification is subject to change without notice.

LG LED FLAT LIGHT

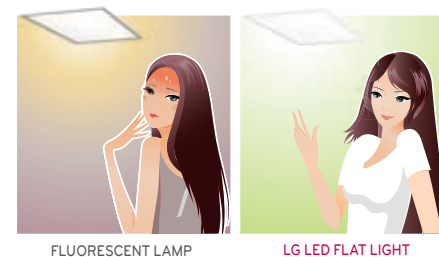
SMART SAVING

Over 70% of illumination intensity even after 40,000 hours. With smart circuitry, standby power is reduced to under 1W, helping further energy saving.



LOW GLARE

Optimum light source with UGR19 providing low glare and uniform distribution light. Perfectly suitable for office lighting.



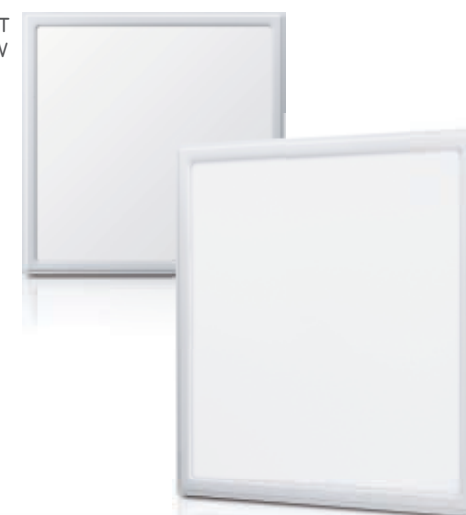
ENVIRONMENTALLY CONSCIOUS

Replacing your existing luminaires with LG Flat Light reduces CO₂ emission which has a similar effect of planting 17 trees.



From interior design to living convenience, LG LED FLAT LIGHT brightens your living and working space. LED Flat Light offers the most economic and the smartest energy saving solution.

FLAT LIGHT
40W / 50W



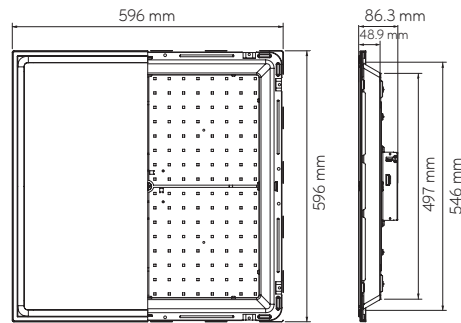
FLAT LIGHT 53W

LG LED FLAT LIGHT

40W
(600X600, T-BAR)



T-BAR



MODEL.NO		FRS640D1FOB	FRS640D3FOB	FRS640D5FOB	FRS640D1KOB	FRS640D3KOB	FRS640D5KOB
POWER	W	40	40	40	40	40	40
LUMINOUS FLUX	lm	3,000	3,000	3,100	3,000	3,000	3,100
LUMINOUS EFFICACY	lm/W	75	75	78	75	75	78
CCT	K	3,000	4,000	5,000	3,000	4,000	5,000
CRI	Ra	80	80	80	80	80	80
UGR	-	19	19	19	19	19	19
BEAM ANGLE	°	82	82	82	82	82	82
DIMMING	-	0-10V	0-10V	0-10V	DALI	DALI	DALI
POWER FACTOR	-	≥0.9	≥0.9	≥0.9	≥0.9	≥0.9	≥0.9
IP	-	IP20	IP20	IP20	IP20	IP20	IP20
IK	-	IK07	IK07	IK07	IK07	IK07	IK07
GLOW WIRE TEST	°C	750	750	750	750	750	750
LIFETIME	hrs	40,000	40,000	40,000	40,000	40,000	40,000
NET WEIGHT	kg	4.0	4.0	4.0	4.0	4.0	4.0
INPUT VOLTAGE	V/AC	100-240	100-240	100-240	100-240	100-240	100-240
INSTALLATION	-	T-BAR	T-BAR	T-BAR	T-BAR	T-BAR	T-BAR

*The specifications and certification may be subject to change without prior notice.

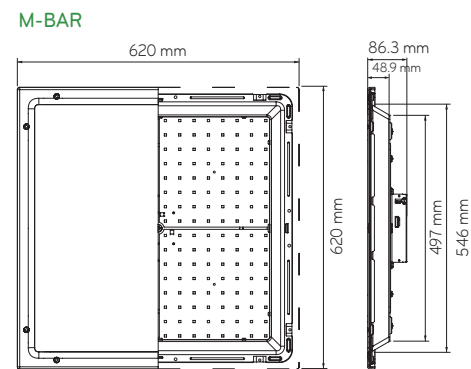
PHOTOMETRIC DATA



Product	Luminance Intensity Distribution	Cone Lux Diagram
40W(T-BAR) FRS640D1FOB FRS640D1KOB		
 FRS640D3FOB FRS640D3KOB		
 FRS640D5FOB FRS640D5KOB		

LG LED FLAT LIGHT

40W
(600X600, M-BAR)



MODEL.NO		FRS640D1F1B	FRS640D3F1B	FRS640D5F1B	FRS640D1K1B	FRS640D3K1B	FRS640D5K1B
POWER	W	40	40	40	40	40	40
LUMINOUS FLUX	lm	3,000	3,000	3,100	3,000	3,000	3,100
LUMINOUS EFFICACY	lm/W	75	75	78	75	75	78
CCT	K	3,000	4,000	5,000	3,000	4,000	5,000
CRI	Ra	80	80	80	80	80	80
UGR	-	19	19	19	19	19	19
BEAM ANGLE	°	82	82	82	82	82	82
DIMMING	-	0-10V	0-10V	0-10V	DALI	DALI	DALI
POWER FACTOR	-	≥0.9	≥0.9	≥0.9	≥0.9	≥0.9	≥0.9
IP	-	IP20	IP20	IP20	IP20	IP20	IP20
IK	-	IK07	IK07	IK07	IK07	IK07	IK07
GLOW WIRE TEST	°C	750	750	750	750	750	750
LIFETIME	hrs	40,000	40,000	40,000	40,000	40,000	40,000
NET WEIGHT	kg	4.2	4.2	4.2	4.2	4.2	4.2
INPUT VOLTAGE	V/AC	100-240	100-240	100-240	100-240	100-240	100-240
INSTALLATION	-	M-BAR	M-BAR	M-BAR	M-BAR	M-BAR	M-BAR

*The specifications and certification may be subject to change without prior notice.

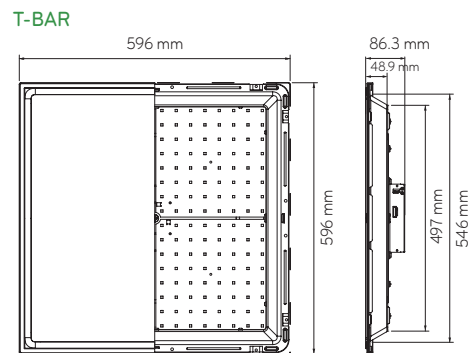
PHOTOMETRIC DATA



Product	Luminance Intensity Distribution	Cone Lux Diagram
40W(M-BAR) FRS640D1F1B FRS640D1K1B		
 FRS640D3F1B FRS640D3K1B		
 FRS640D5F1B FRS640D5K1B		

LG LED FLAT LIGHT

50W
(600X600, T-BAR)



MODEL.NO		FRS650D1FOB	FRS650D3FOB	FRS650D5FOB	FRS650D1KOB	FRS650D3KOB	FRS650D5KOB
POWER	W	50	50	50	50	50	50
LUMINOUS FLUX	lm	3,700	3,700	3,900	3,700	3,700	3,900
LUMINOUS EFFICACY	lm/W	74	74	78	74	74	78
CCT	K	3,000	4,000	5,000	3,000	4,000	5,000
CRI	Ra	80	80	80	80	80	80
UGR	-	19	19	19	19	19	19
BEAM ANGLE	°	82	82	82	82	82	82
DIMMING	-	0-10V	0-10V	0-10V	DALI	DALI	DALI
POWER FACTOR	-	≥0.9	≥0.9	≥0.9	≥0.9	≥0.9	≥0.9
IP	-	IP20	IP20	IP20	IP20	IP20	IP20
IK	-	IK07	IK07	IK07	IK07	IK07	IK07
GLOW WIRE TEST	°C	750	750	750	750	750	750
LIFETIME	hrs	40,000	40,000	40,000	40,000	40,000	40,000
NET WEIGHT	kg	4.0	4.0	4.0	4.0	4.0	4.0
INPUT VOLTAGE	V/AC	100-240	100-240	100-240	100-240	100-240	100-240
INSTALLATION	-	T-BAR	T-BAR	T-BAR	T-BAR	T-BAR	T-BAR

*The specifications and certification may be subject to change without prior notice.

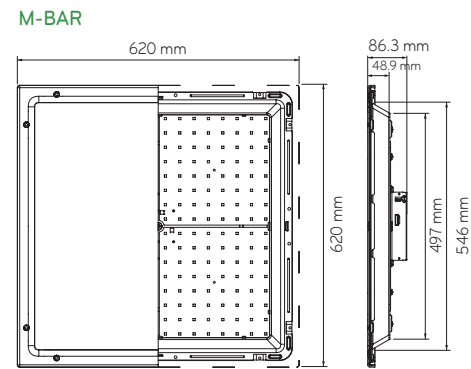
PHOTOMETRIC DATA



Product	Luminance Intensity Distribution	Cone Lux Diagram
50W(T-BAR) FRS650D1FOB FRS650D1KOB		
 FRS650D3FOB FRS650D3KOB		
 FRS650D5FOB FRS650D5KOB		

LG LED FLAT LIGHT

50W
(600X600, M-BAR)



MODEL.NO		FRS650D1F1B	FRS650D3F1B	FRS650D5F1B	FRS650D1K1B	FRS650D3K1B	FRS650D5K1B
POWER	W	50	50	50	50	50	50
LUMINOUS FLUX	lm	3,700	3,700	3,900	3,700	3,700	3,900
LUMINOUS EFFICACY	lm/W	74	74	78	74	74	78
CCT	K	3,000	4,000	5,000	3,000	4,000	5,000
CRI	Ra	80	80	80	80	80	80
UGR	-	19	19	19	19	19	19
BEAM ANGLE	°	82	82	82	82	82	82
DIMMING	-	0-10V	0-10V	0-10V	DALI	DALI	DALI
POWER FACTOR	-	≥0.9	≥0.9	≥0.9	≥0.9	≥0.9	≥0.9
IP	-	IP20	IP20	IP20	IP20	IP20	IP20
IK	-	IK07	IK07	IK07	IK07	IK07	IK07
GLOW WIRE TEST	°C	750	750	750	750	750	750
LIFETIME	hrs	40,000	40,000	40,000	40,000	40,000	40,000
NET WEIGHT	kg	4.2	4.2	4.2	4.2	4.2	4.2
INPUT VOLTAGE	V/AC	100-240	100-240	100-240	100-240	100-240	100-240
INSTALLATION	-	M-BAR	M-BAR	M-BAR	M-BAR	M-BAR	M-BAR

*The specifications and certification may be subject to change without prior notice.

PHOTOMETRIC DATA



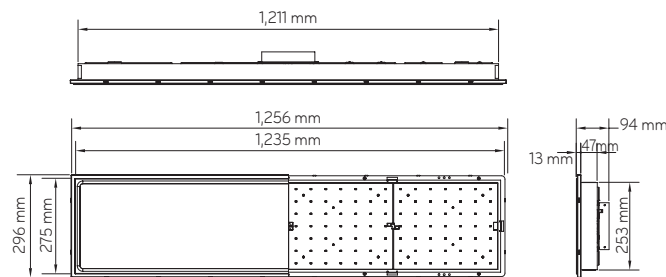
Product	Luminance Intensity Distribution	Cone Lux Diagram
50W(M-BAR) FRS650D1F1B FRS650D1K1B		
 FRS650D3F1B FRS650D3K1B		
 FRS650D5F1B FRS650D5K1B		

LG LED FLAT LIGHT

53W
(300X1,200, T-BAR)



T-BAR



MODEL.NO		LF53073042B	LF53074042B	LF53075042B
POWER	W	53	53	53
LUMINOUS FLUX	lm	3,600	3,800	4,000
LUMINOUS EFFICACY	lm/W	68	72	75
CCT	K	3,000	4,000	5,000
CRI	Ra	80	80	80
UGR	-	19	19	19
BEAM ANGLE	°	82	82	82
DIMMING	-	0-10V	0-10V	0-10V
POWER FACTOR	-	≥0.9	≥0.9	≥0.9
IP	-	IP20	IP20	IP20
IK	-	IK07	IK07	IK07
GLOW WIRE TEST	°C	750	750	750
LIFETIME	hrs	50,000	50,000	50,000
NET WEIGHT	kg	5	5	5
INPUT VOLTAGE	V/AC	110-240	110-240	110-240
INSTALLATION	-	T-BAR	T-BAR	T-BAR

*The specifications and certification may be subject to change without prior notice.

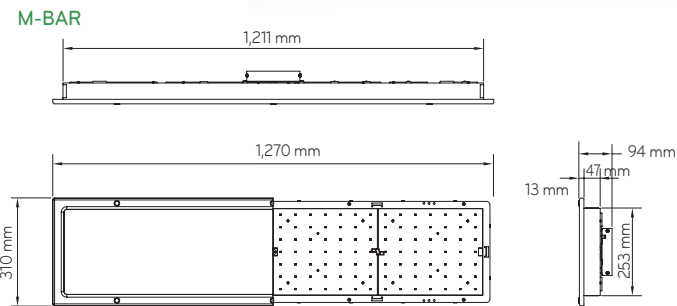
PHOTOMETRIC DATA



Product	Luminance Intensity Distribution	Cone Lux Diagram
53W(T-BAR) LF53073042B		
 LF53074042B		
 LF53075042B		

LG LED FLAT LIGHT

53W
(300X1,200, M-BAR)



MODEL.NO		LF53173042B	LF53174042B	LF53175042B
POWER	W	53	53	53
LUMINOUS FLUX	lm	3,600	3,800	4,000
LUMINOUS EFFICACY	lm/W	68	72	75
CCT	K	3,000	4,000	5,000
CRI	Ra	80	80	80
UGR	-	19	19	19
BEAM ANGLE	°	82	82	82
DIMMING	-	0-10V	0-10V	0-10V
POWER FACTOR	-	≥0.9	≥0.9	≥0.9
IP	-	IP20	IP20	IP20
IK	-	IK07	IK07	IK07
GLOW WIRE TEST	°C	750	750	750
LIFETIME	hrs	50,000	50,000	50,000
NET WEIGHT	kg	5	5	5
INPUT VOLTAGE	V/AC	110-240	110-240	110-240
INSTALLATION	-	M-BAR	M-BAR	M-BAR

*The specifications and certification may be subject to change without prior notice.

PHOTOMETRIC DATA



Product	Luminance Intensity Distribution	Cone Lux Diagram
53W(M-BAR) LF53173042B		
 LF53174042B		
 LF53175042B		

LG LED DOWNLIGHT

SMART SAVING

Over 70% of illumination intensity even after 50,000 hours. With smart circuitry, standby power is reduced to under 1W, helping further energy saving.



LIGHT WEIGHT

Easy to handle and install with an optimized light weight design.



NATURAL LIGHT

No flickering, and no unpleasant glaring to harm your eyesight.



EXCELLENT COMPATIBILITY

The same dimensions as conventional Downlight allowing excellent compatibility.



With LG LED DOWNLIGHT create a whole new look and feel for your space with our lighting solutions. Suitable for shops, offices, department stores, theaters, and studios.



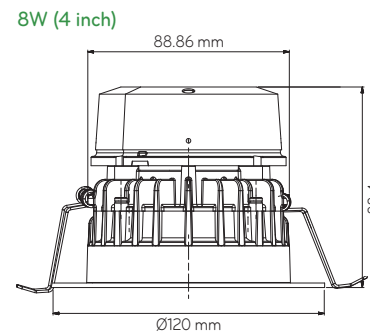
DOWNLIGHT 8W



DOWNLIGHT 37W

LG LED DOWNLIGHT

8W (4 inch)



MODEL.NO		D4A0081EDFO	D4A0083EDFO	D4A0085EDFO
POWER	W	8	8	8
LUMINOUS FLUX	lm	460	470	470
LUMINOUS EFFICACY	lm/W	58	59	59
CCT	K	3,000	4,000	5,000
CRI	Ra	80	80	80
BEAM ANGLE	°	100	100	100
DIMMING	-	0-10V	0-10V	0-10V
POWER FACTOR	-	≥0.9	≥0.9	≥0.9
IP	-	IP40	IP40	IP40
IK	-	IK05	IK05	IK05
GLOW WIRE TEST	°C	850	850	850
LIFETIME	hrs	50,000	50,000	50,000
SIZE	ØX(H)	120 X 88	120 X 88	120 X 88
NET WEIGHT	g	358	358	358
INPUT VOLTAGE	V/AC	100-240	100-240	100-240

PHOTOMETRIC DATA



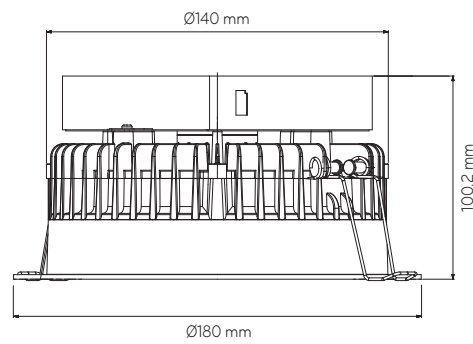
Product	Luminance Intensity Distribution	Cone Lux Diagram																
8W (4 inch) D4A0081EDFO		<table border="1"> <tr><td>203 lux</td><td>1.0m</td></tr> <tr><td>51 lux</td><td>2.0m</td></tr> <tr><td>23 lux</td><td>3.0m</td></tr> <tr><td>13 lux</td><td>4.0m</td></tr> <tr><td>8 lux</td><td>5.0m</td></tr> <tr><td>6 lux</td><td>6.0m</td></tr> <tr><td>4 lux</td><td>7.0m</td></tr> <tr><td>3 lux</td><td>8.0m</td></tr> </table>	203 lux	1.0m	51 lux	2.0m	23 lux	3.0m	13 lux	4.0m	8 lux	5.0m	6 lux	6.0m	4 lux	7.0m	3 lux	8.0m
203 lux	1.0m																	
51 lux	2.0m																	
23 lux	3.0m																	
13 lux	4.0m																	
8 lux	5.0m																	
6 lux	6.0m																	
4 lux	7.0m																	
3 lux	8.0m																	
D4A0083EDFO		<table border="1"> <tr><td>207 lux</td><td>1.0m</td></tr> <tr><td>52 lux</td><td>2.0m</td></tr> <tr><td>23 lux</td><td>3.0m</td></tr> <tr><td>13 lux</td><td>4.0m</td></tr> <tr><td>8 lux</td><td>5.0m</td></tr> <tr><td>6 lux</td><td>6.0m</td></tr> <tr><td>4 lux</td><td>7.0m</td></tr> <tr><td>3 lux</td><td>8.0m</td></tr> </table>	207 lux	1.0m	52 lux	2.0m	23 lux	3.0m	13 lux	4.0m	8 lux	5.0m	6 lux	6.0m	4 lux	7.0m	3 lux	8.0m
207 lux	1.0m																	
52 lux	2.0m																	
23 lux	3.0m																	
13 lux	4.0m																	
8 lux	5.0m																	
6 lux	6.0m																	
4 lux	7.0m																	
3 lux	8.0m																	
D4A0085EDFO		<table border="1"> <tr><td>208 lux</td><td>1.0m</td></tr> <tr><td>52 lux</td><td>2.0m</td></tr> <tr><td>23 lux</td><td>3.0m</td></tr> <tr><td>13 lux</td><td>4.0m</td></tr> <tr><td>8 lux</td><td>5.0m</td></tr> <tr><td>6 lux</td><td>6.0m</td></tr> <tr><td>4 lux</td><td>7.0m</td></tr> <tr><td>3 lux</td><td>8.0m</td></tr> </table>	208 lux	1.0m	52 lux	2.0m	23 lux	3.0m	13 lux	4.0m	8 lux	5.0m	6 lux	6.0m	4 lux	7.0m	3 lux	8.0m
208 lux	1.0m																	
52 lux	2.0m																	
23 lux	3.0m																	
13 lux	4.0m																	
8 lux	5.0m																	
6 lux	6.0m																	
4 lux	7.0m																	
3 lux	8.0m																	

LG LED DOWNLIGHT

15W (6 inch)



15W (6 inch)



MODEL.NO		D6A0151EDFO	D6A0153EDFO	D6A0155EDFO
POWER	W	15	15	15
LUMINOUS FLUX	lm	880	930	990
LUMINOUS EFFICACY	lm/W	59	62	66
CCT	K	3,000	4,000	5,000
CRI	Ra	80	80	80
BEAM ANGLE	°	100	100	100
DIMMING	-	0-10V	0-10V	0-10V
POWER FACTOR	-	≥0.9	≥0.9	≥0.9
IP	-	IP40	IP40	IP40
IK	-	IK05	IK05	IK05
GLOW WIRE TEST	°C	850	850	850
LIFETIME	hrs	50,000	50,000	50,000
SIZE	ØX(H)	180 X 100	180 X 100	180 X 100
NET WEIGHT	g	730	730	730
INPUT VOLTAGE	V/AC	100-240	100-240	100-240

*The specifications and certification may be subject to change without prior notice.

PHOTOMETRIC DATA



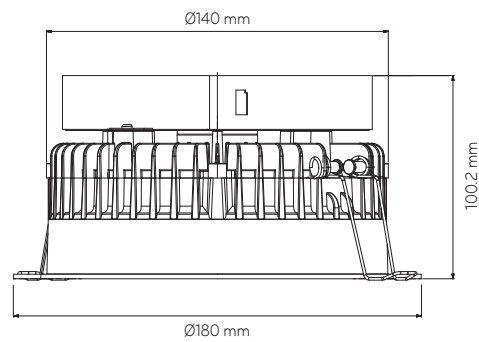
Product	Luminance Intensity Distribution	Cone Lux Diagram
15W (6 inch) D6A0151EDFO		
 D6A0153EDFO		
 D6A0155EDFO		

LG LED DOWNLIGHT

23W (6 inch)



23W (6 inch)



MODEL.NO		D6A0231EDFO	D6A0233EDFO	D6A0235EDFO
POWER	W	23	23	23
LUMINOUS FLUX	lm	1,430	1,500	1,580
LUMINOUS EFFICACY	lm/W	62	65	69
CCT	K	3,000	4,000	5,000
CRI	Ra	80	80	80
BEAM ANGLE	°	100	100	100
DIMMING	-	0-10V	0-10V	0-10V
POWER FACTOR	-	≥0.9	≥0.9	≥0.9
IP	-	IP40	IP40	IP40
IK	-	IK05	IK05	IK05
GLOW WIRE TEST	°C	850	850	850
LIFETIME	hrs	50,000	50,000	50,000
SIZE	ØX(H)	180 X 100	180 X 100	180 X 100
NET WEIGHT	g	750	750	750
INPUT VOLTAGE	V/AC	100-240	100-240	100-240

*The specifications and certification may be subject to change without prior notice.

PHOTOMETRIC DATA



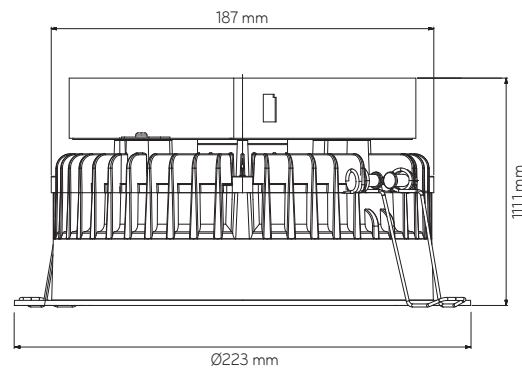
Product	Luminance Intensity Distribution	Cone Lux Diagram
23W (6 inch) D6A0231EDFO		
 D6A0233EDFO		
 D6A0235EDFO		

LG LED DOWNLIGHT

37W (8 inch)



37W (8 inch)


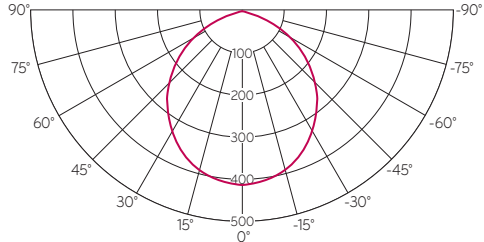
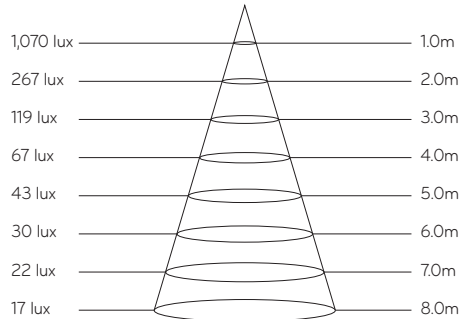

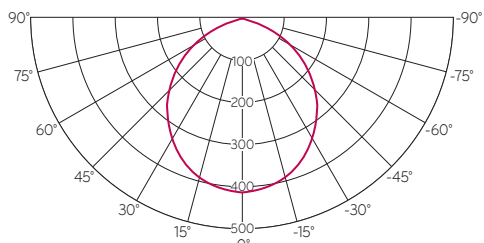
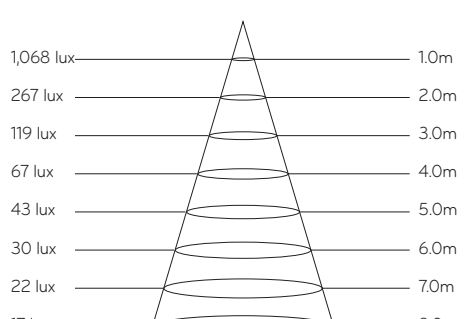

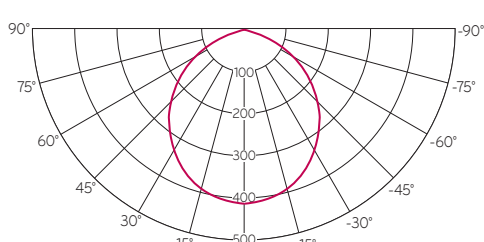
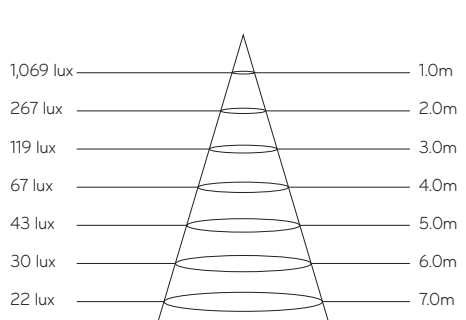


MODEL.NO		D8A0371EDFO	D8A0373EDFO	D8A0375EDFO
POWER	W	37	37	37
LUMINOUS FLUX	lm	2,500	2,600	2,600
LUMINOUS EFFICACY	lm/W	68	70	70
CCT	K	3,000	4,000	5,000
CRI	Ra	80	80	80
BEAM ANGLE	°	100	100	100
DIMMING	-	0-10V	0-10V	0-10V
POWER FACTOR	-	≥0.9	≥0.9	≥0.9
IP	-	IP40	IP40	IP40
IK	-	IK05	IK05	IK05
GLOW WIRE TEST	°C	850	850	850
LIFETIME	hrs	50,000	50,000	50,000
SIZE	ØX(H)	223 X 111	223 X 111	223 X 111
NET WEIGHT	g	1,360	1,360	1,360
INPUT VOLTAGE	V/AC	100-240	100-240	100-240

*The specifications and certification may be subject to change without prior notice.

PHOTOMETRIC DATA



Product	Luminance Intensity Distribution	Cone Lux Diagram
37W (8 inch)  D8A0371EDFO		
 D8A0373EDFO		
 D8A0375EDFO		

INDUSTRIAL



068

LG LED HIGH-BAY
70W / 90W / 120W / 180W

074

LG LED STREET LIGHT
90W / 150W / 200W
32W / 62W

LG LED HIGH-BAY

HIGH RELIABILITY

Built with reliability in mind, enjoy substantially longer life and reduced cost. High Ingress Protection (≥IP65) ensures great performance even in dusty and humid environments.



SAFE INSTALLATION

Easy to handle and install with an optimized light weight design. Also, internal surge protector with 10kV resistance prevents damage from static electric spark such as lightning.

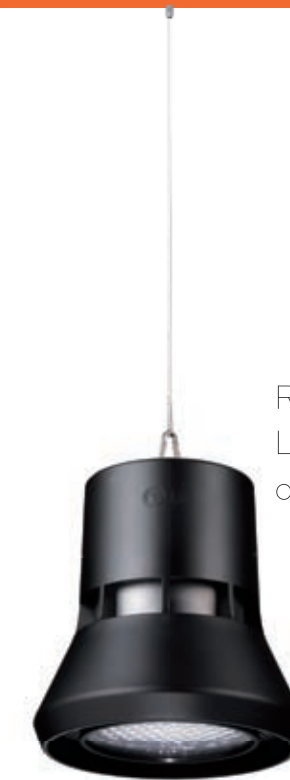


ECO-FRIENDLY

Eco-friendly product containing no hazardous materials such as mercury and emitting low CO₂ emission.



Replace industry luminaires with LG LED HIGH-BAY which joins slim & sleek design with high performance.



PENDANT TYPE 70W



BRACKET TYPE 70W



BRACKET TYPE 180W

INDUSTRIAL / INDOOR

LG LED HIGH-BAY

70W

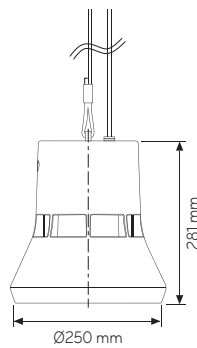


Pendant

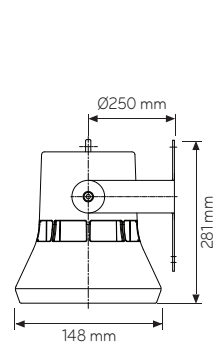


Bracket

PENDANT TYPE 70W



BRACKET TYPE 70W


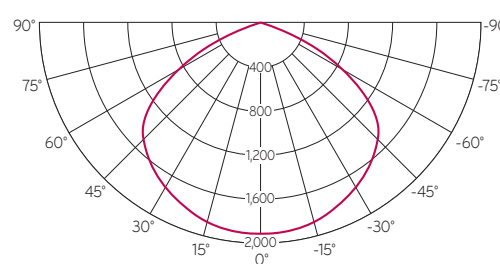
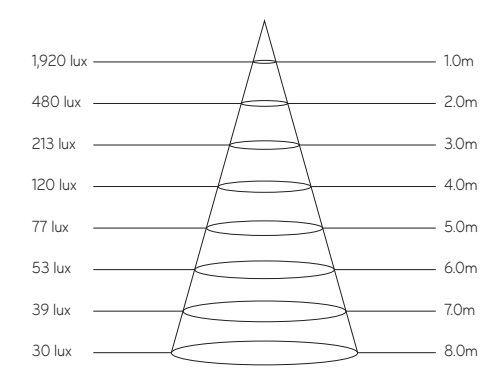

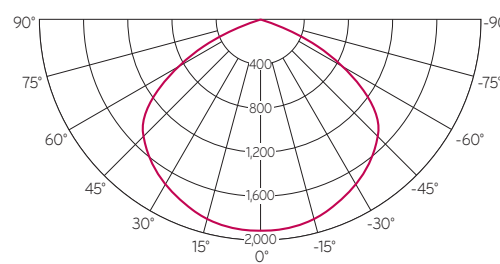
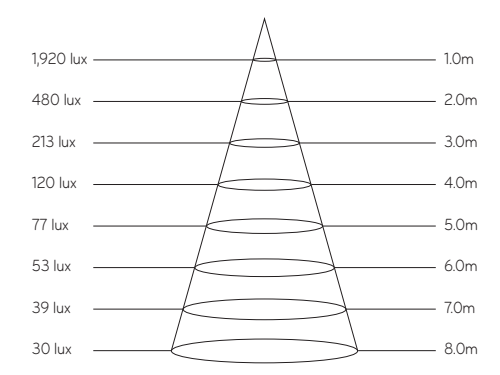


MODEL.NO		LH70765BFA0	LG70765BFA0
POWER	W	70	70
CCT	K	5,700	5,700
LUMINOUS FLUX	lm	5,250	5,250
LUMINOUS EFFICACY	lm/W	75	75
CRI	Ra	70	70
BEAM ANGLE	°	120	120
DIMMING	-	-	-
LIFETIME	hrs	50,000	50,000
NET WEIGHT	kg	5.7	6.7
POWER FACTOR	-	≥0.9	≥0.9
OPERATING TEMPERATURE	°c	-20~+50	-20~+50
IP	-	IP65	IP65
INPUT VOLTAGE	V/AC	100-240	100-240
INSTALLATION	-	Pendant	Bracket

*LH70765BFA0 and LG70765BFA0 models are for indoor use only. *The specifications and certification may be subject to change without prior notice.

PHOTOMETRIC DATA



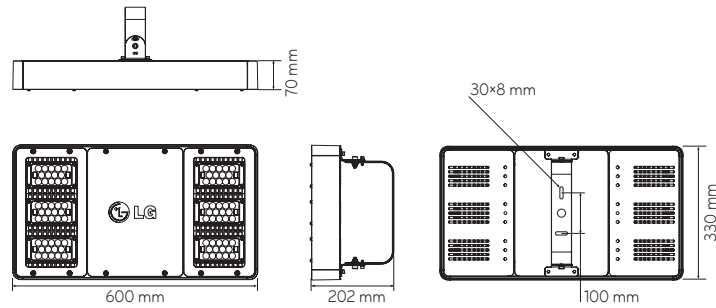
Product	Luminance Intensity Distribution	Cone Lux Diagram
<p>70W</p>  <p>LH70765BFA0</p>		
 <p>LG70765BFA0</p>		

LG LED HIGH-BAY

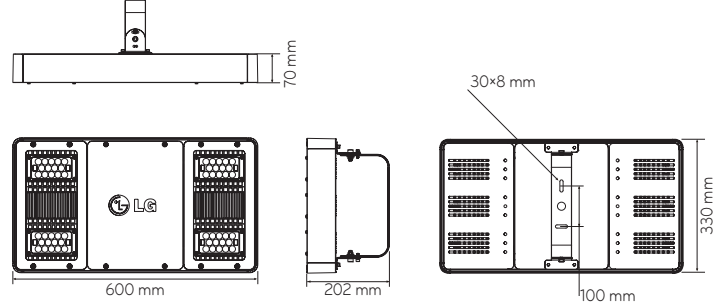
90W
120W
180W



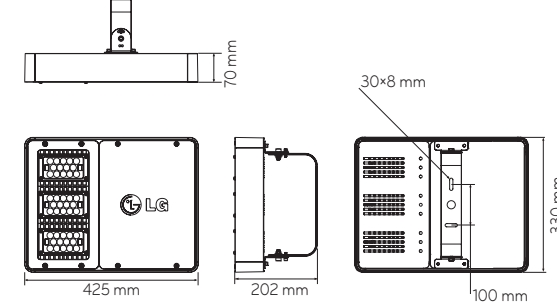
BRACKET TYPE 180W



BRACKET TYPE 120W



BRACKET TYPE 90W


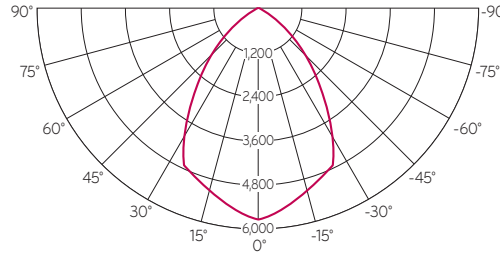
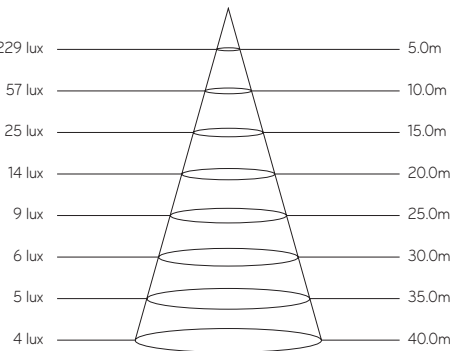

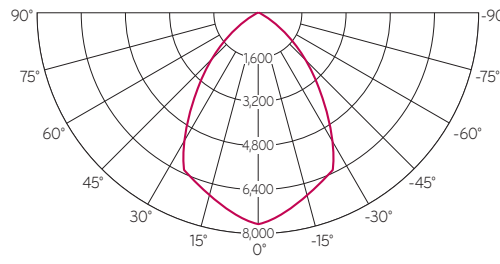
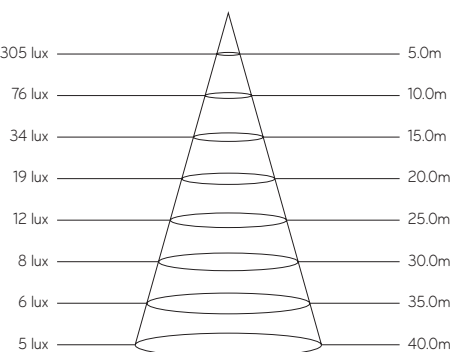

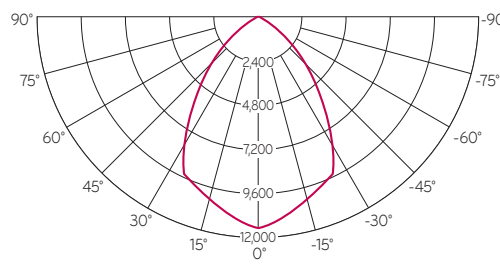
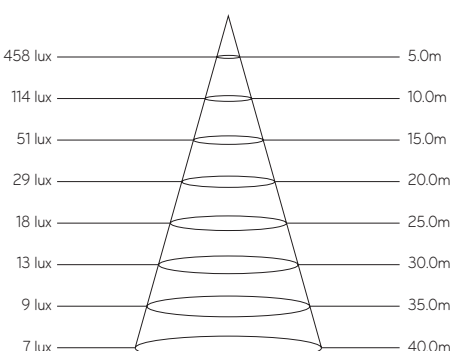


MODEL.NO	LH90753AFCO	LH12753AFCO	LH18753AFCO
POWER	90	120	180
CCT	5,000	5,000	5,000
LUMINOUS FLUX	8,100	10,800	16,200
LUMINOUS EFFICACY	90	90	90
CRI	75	75	75
BEAM ANGLE	*MB/WB	*MB/WB	*MB/WB
DIMMING	0~10V	0~10V	0~10V
LIFETIME	50,000	50,000	50,000
NET WEIGHT	6.8	9.0	10.0
POWER FACTOR	≥0.9	≥0.9	≥0.9
OPERATING TEMPERATURE	-40~+50	-40~+50	-40~+50
IP	IP66	IP66	IP66
INPUT VOLTAGE	100-240	100-240	100-240
INSTALLATION	Bracket	Bracket	Bracket

*MB: Medium Beam, WB: Wide Beam *The specifications and certification may be subject to change without prior notice.

PHOTOMETRIC DATA



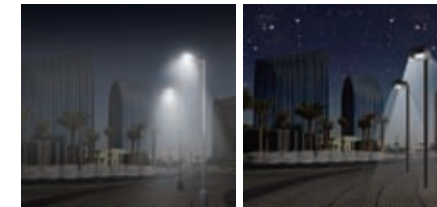
Product	Luminance Intensity Distribution	Cone Lux Diagram
90W  LH90753AFCO		
120W  LH12753AFCO		
180W  LH18753AFCO		

LG LED STREET LIGHT



CUT-OFF

Ensuring drivers' and pedestrians' road safety by reducing light pollution such as blue sky phenomenon and light trespass.



CONVENTIONAL

LG LED STREET LIGHT

SMART MAINTENANCE

Simple repair and maintenance due to modularized design, reducing down time and maintenance cost.



SAFE INSTALLATION

Easy to handle and install with an optimized light weight design. Also, internal surge protector with 10kV resistance prevents damage from static electric spark such as lightning.



ECO-FRIENDLY

Eco-friendly product containing no hazardous materials such as mercury and emitting low CO₂ emission.



Module-based LG LED STREET LIGHT is designed to install, maintain, and repair easier. Enjoy significant energy saving and better night sky view.



STREET LIGHT 32W



STREET LIGHT 62W



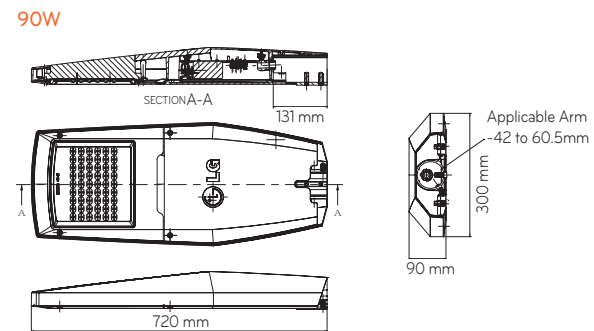
STREET LIGHT 90W



STREET LIGHT 150W/200W

LG LED STREET LIGHT

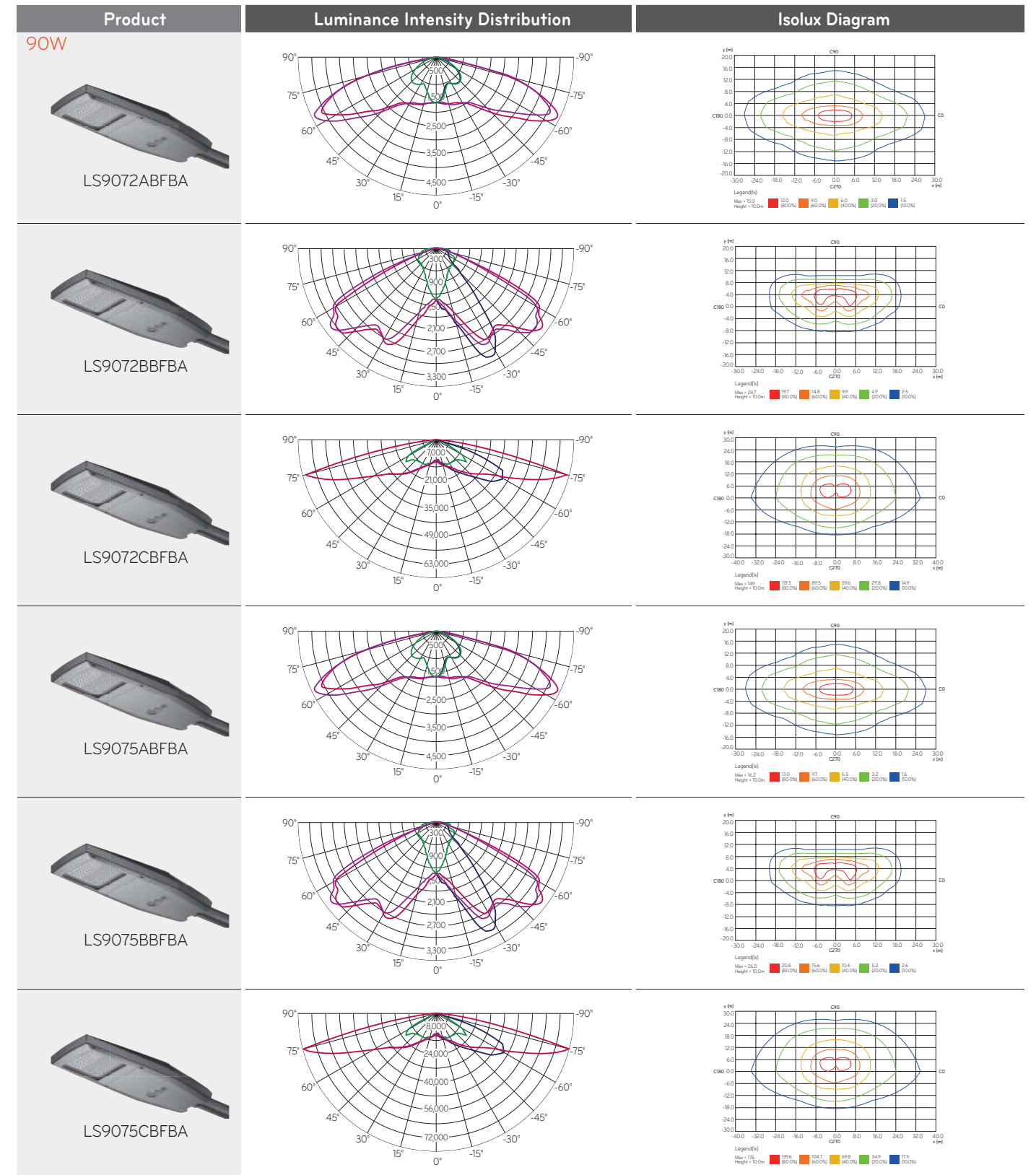
90W



MODEL.NO	LS9072ABFBA	LS9072BBFBA	LS9072CBFBA	LS9075ABFBA	LS9075BBFBA	LS9075CBFBA
POWER	90	90	90	90	90	90
CCT	3,500	3,500	3,500	5,000	5,000	5,000
LUMINOUS FLUX	6,840	6,840	6,840	7,400	7,400	7,400
LUMINOUS EFFICACY	76	76	76	82	82	82
CRI	83	83	83	78	78	78
BEAM ANGLE	TYPE I	TYPE II	TYPE III	TYPE I	TYPE II	TYPE III
DIMMING	-	-	-	-	-	-
LIFETIME	50,000	50,000	50,000	50,000	50,000	50,000
NET WEIGHT	10	10	10	10	10	10
POWER FACTOR	≥0.9	≥0.9	≥0.9	≥0.9	≥0.9	≥0.9
OPERATING TEMPERATURE	-20~+50	-20~+50	-20~+50	-20~+50	-20~+50	-20~+50
IP	IP66	IP66	IP66	IP66	IP66	IP66
INPUT VOLTAGE	100-240	100-240	100-240	100-240	100-240	100-240
INSTALLATION	Arm type	Arm type	Arm type	Arm type	Arm type	Arm type

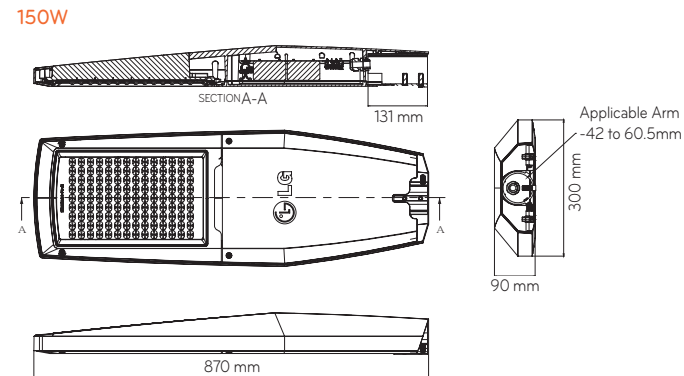
*The specifications and certification may be subject to change without prior notice.

PHOTOMETRIC DATA



LG LED STREET LIGHT

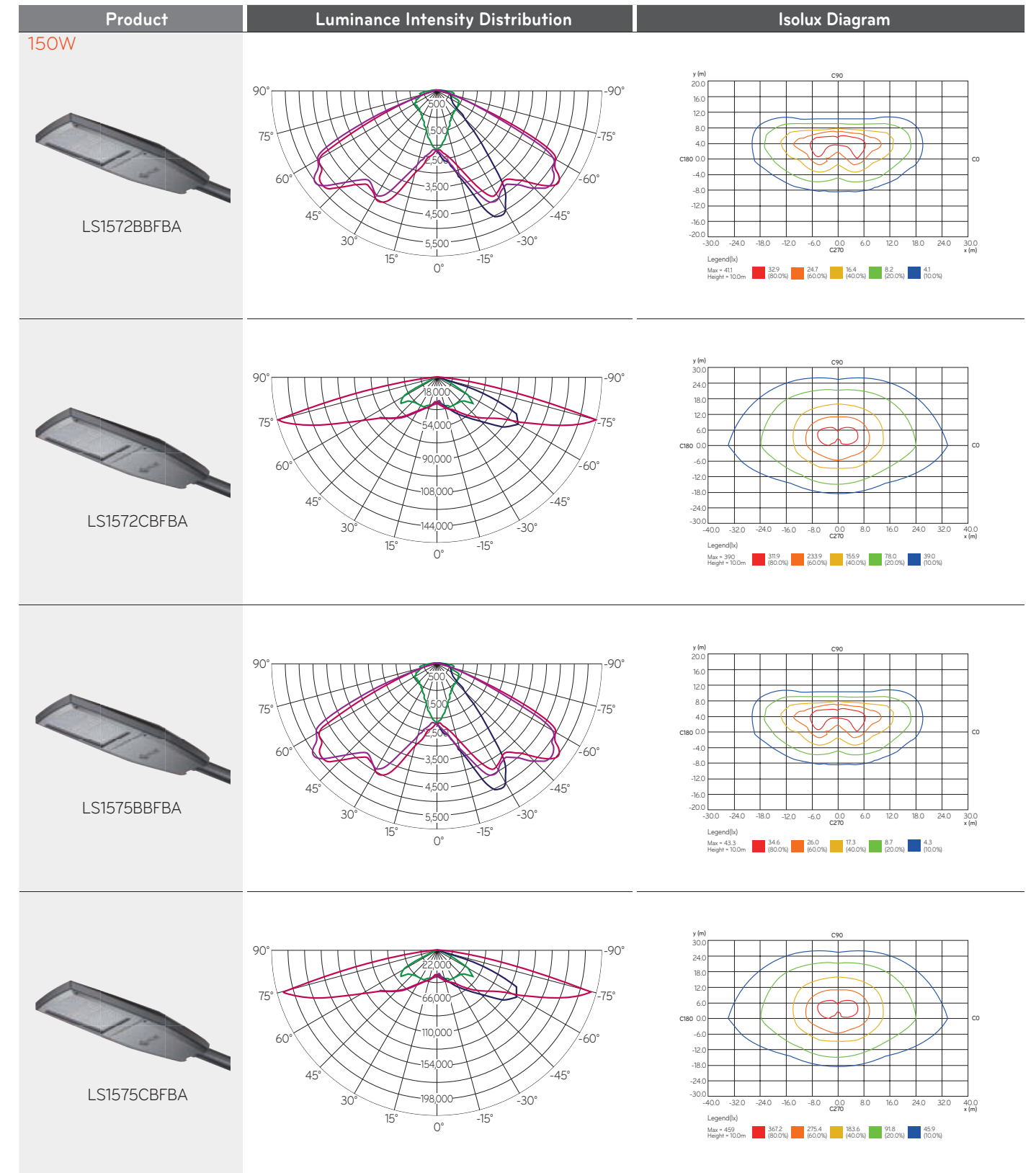
150W



MODEL.NO		LS1572BBFBA	LS1572CBFBA	LS1575BBFBA	LS1575CBFBA
POWER	W	150	150	150	150
CCT	K	3,500	3,500	5,000	5,000
LUMINOUS FLUX	lm	11,400	11,400	12,000	12,000
LUMINOUS EFFICACY	lm/W	76	76	82	82
CRI	Ra	83	83	78	78
BEAM ANGLE	°	TYPE II	TYPE III	TYPE II	TYPE III
DIMMING	-	-	-	-	-
LIFETIME	hrs	50,000	50,000	50,000	50,000
NET WEIGHT	kg	12	12	12	12
POWER FACTOR	-	≥0.9	≥0.9	≥0.9	≥0.9
OPERATING TEMPERATURE	°C	-20~+50	-20~+50	-20~+50	-20~+50
IP	-	IP66	IP66	IP66	IP66
INPUT VOLTAGE	V/AC	100-240	100-240	100-240	100-240
INSTALLATION	-	Arm type	Arm type	Arm type	Arm type

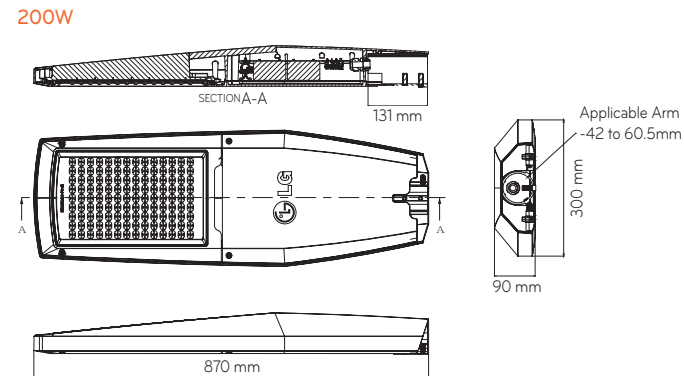
*The specifications and certification may be subject to change without prior notice.

PHOTOMETRIC DATA



LG LED STREET LIGHT

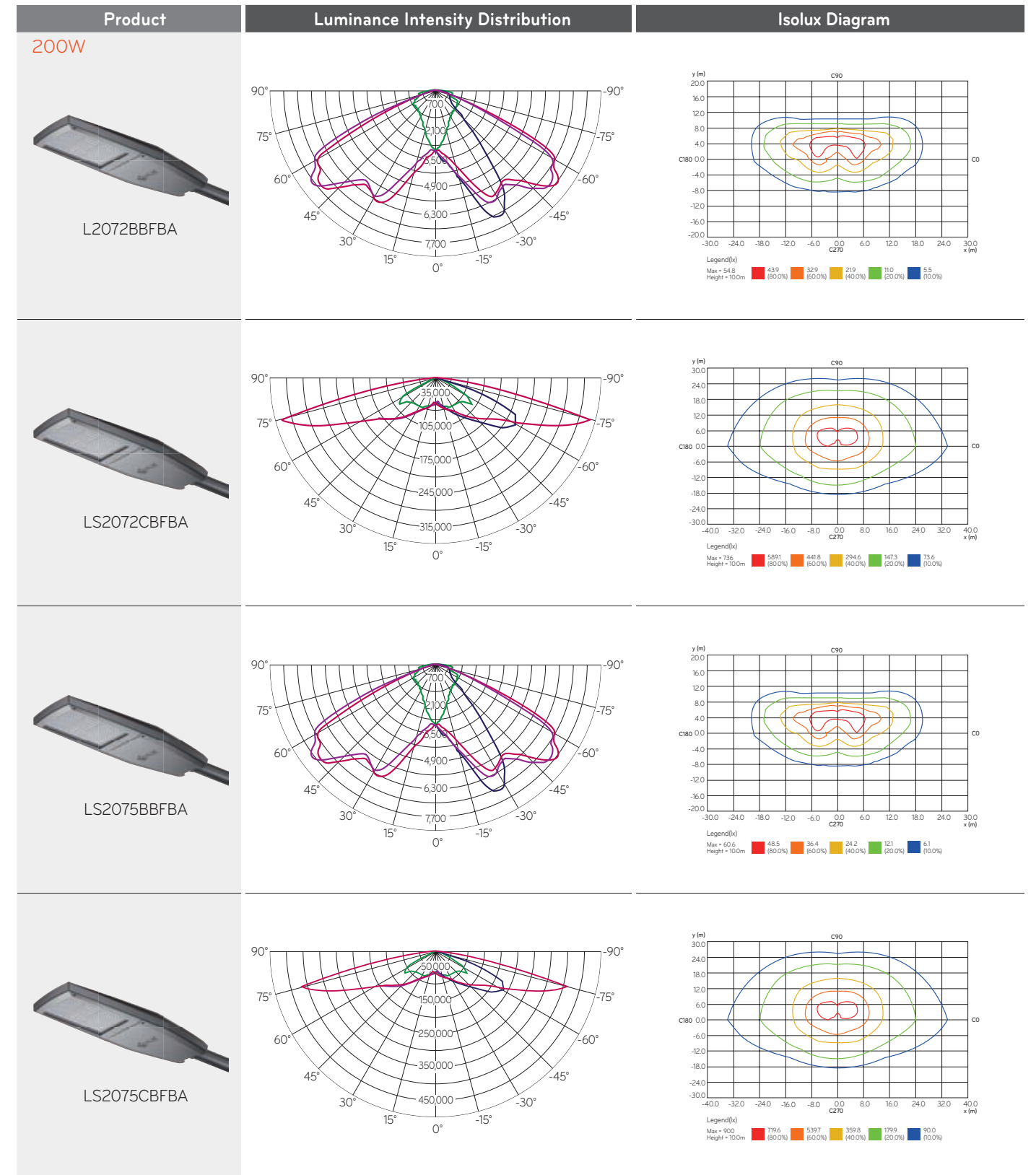
200W



MODEL.NO		L2072BBFBA	LS2072CBFBA	LS2075BBFBA	LS2075CBFBA
POWER	W	200	200	200	200
CCT	K	3,500	3,500	5,000	5,000
LUMINOUS FLUX	lm	15,200	15,200	16,800	16,800
LUMINOUS EFFICACY	lm/W	76	76	82	84
CRI	Ra	83	83	78	78
BEAM ANGLE	°	TYPE II	TYPE III	TYPE II	TYPE III
DIMMING	-	-	-	-	-
LIFETIME	hrs	50,000	50,000	50,000	50,000
NET WEIGHT	kg	12	12	12	12
POWER FACTOR	-	≥0.9	≥0.9	≥0.9	≥0.9
OPERATING TEMPERATURE	°C	-20~+50	-20~+50	-20~+50	-20~+50
IP	-	IP66	IP66	IP66	IP66
INPUT VOLTAGE	V/AC	100-240	100-240	100-240	100-240
INSTALLATION	-	Arm type	Arm type	Arm type	Arm type

*The specifications and certification may be subject to change without prior notice.

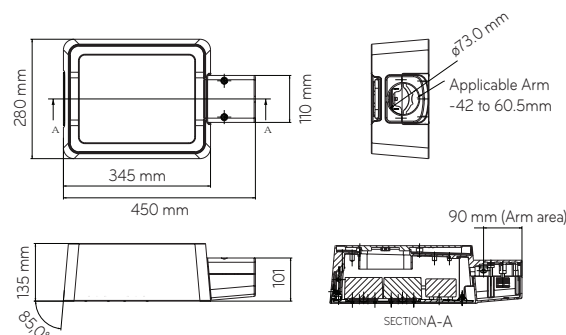
PHOTOMETRIC DATA



LG LED SECURITY LIGHT

32W

32W



MODEL.NO	LS3075ABFAA	LS3075BBFAA	LS3076ABFAA	LS3076BBFAA
POWER	32	32	32	32
CCT	5,000	5,000	5,700	5,700
LUMINOUS FLUX	2,400	2,400	2,400	2,400
LUMINOUS EFFICACY	75	75	75	75
CRI	70	70	70	70
BEAM ANGLE	TYPE I	TYPE II	TYPE I	TYPE II
DIMMING	-	-	-	-
LIFETIME	50,000	50,000	50,000	50,000
NET WEIGHT	7.1	7.1	7.1	7.1
POWER FACTOR	≥0.9	≥0.9	≥0.9	≥0.9
OPERATING TEMPERATURE	-20~+50	-20~+50	-20~+50	-20~+50
IP	IP65	IP65	IP65	IP65
INPUT VOLTAGE	100-240	100-240	100-240	100-240
INSTALLATION	Arm type	Arm type	Arm type	Arm type

*The specifications and certification may be subject to change without prior notice.

PHOTOMETRIC DATA



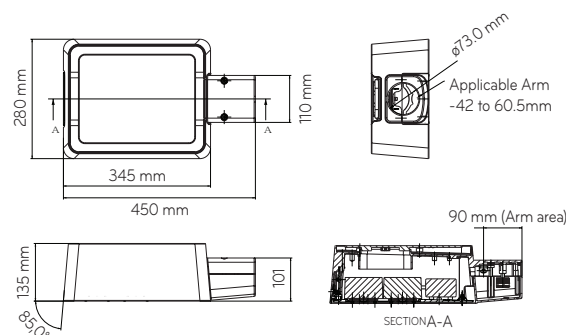
Product	Luminance Intensity Distribution	Isolux Diagram
32W LS3075ABFAA		<p>Legend(lx) Max = 22.2 Height = 6.00m 17.8 (80.0%) 13.3 (60.0%) 8.9 (40.0%) 4.4 (20.0%) 2.2 (10.0%)</p>
 LS3075BBFAA		<p>Legend(lx) Max = 38.3 Height = 5.00m 30.6 (80.0%) 23.0 (60.0%) 15.3 (40.0%) 7.7 (20.0%) 3.8 (10.0%)</p>
 LS3076ABFAA		<p>Legend(lx) Max = 22.2 Height = 6.00m 17.8 (80.0%) 13.3 (60.0%) 8.9 (40.0%) 4.4 (20.0%) 2.2 (10.0%)</p>
 LS3076BBFAA		<p>Legend(lx) Max = 38.3 Height = 5.00m 30.6 (80.0%) 23.0 (60.0%) 15.3 (40.0%) 7.7 (20.0%) 3.8 (10.0%)</p>

LG LED SECURITY LIGHT

62W



62W


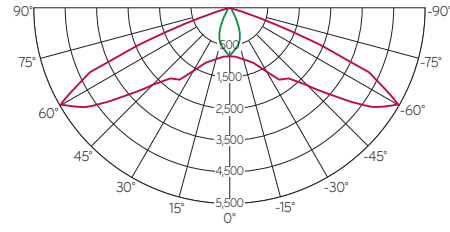
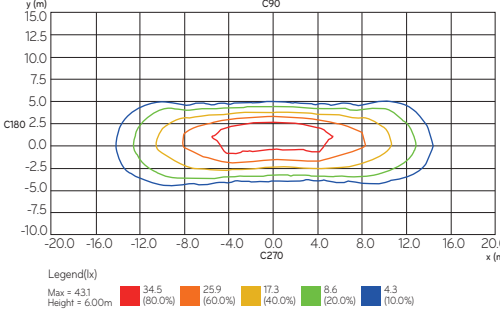

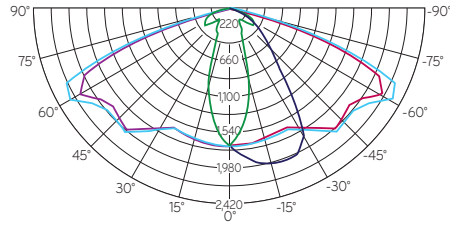
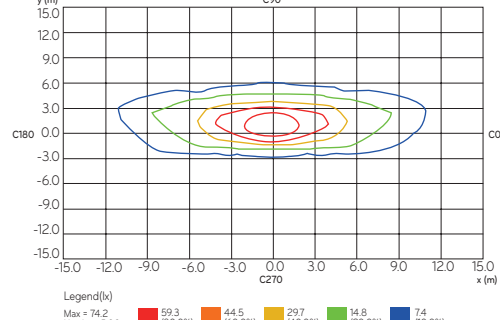

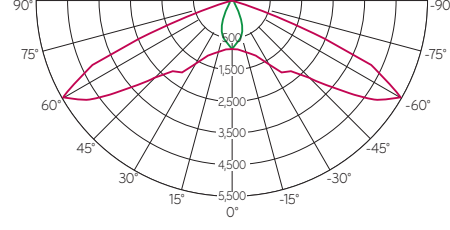
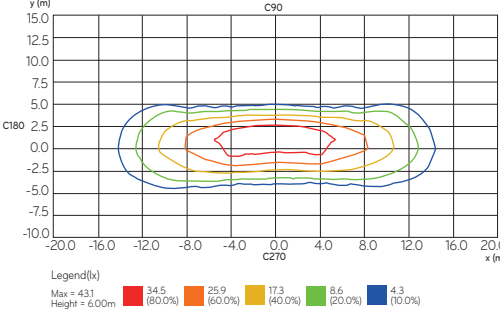

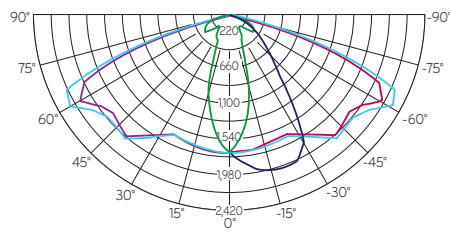
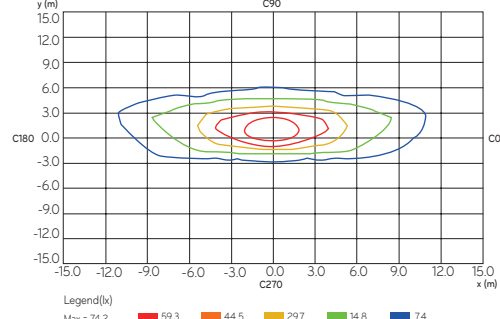


MODEL.NO		LS6075ABFAA	LS6075BBFAA	LS6076ABFAA	LS6076BBFAA
POWER	W	62	62	62	62
CCT	K	5,000	5,000	5,700	5,700
LUMINOUS FLUX	lm	4,800	4,800	4,800	4,800
LUMINOUS EFFICACY	lm/W	77	77	77	77
CRI	Ra	70	70	70	70
BEAM ANGLE	°	TYPE I	TYPE II	TYPE I	TYPE II
DIMMING	-	-	-	-	-
LIFETIME	hrs	50,000	50,000	50,000	50,000
NET WEIGHT	kg	7.5	7.5	7.5	7.5
POWER FACTOR	-	≥0.9	≥0.9	≥0.9	≥0.9
OPERATING TEMPERATURE	°C	-20~+50	-20~+50	-20~+50	-20~+50
IP	-	IP65	IP65	IP65	IP65
INPUT VOLTAGE	V/AC	100-240	100-240	100-240	100-240
INSTALLATION	-	Arm type	Arm type	Arm type	Arm type

*The specifications and certification may be subject to change without prior notice.

PHOTOMETRIC DATA



Product	Luminance Intensity Distribution	Isolux Diagram
<p>62W</p>  <p>LS6075ABFAA</p>		 <p>Legend(lx) Max = 431 Height = 6.00m</p>
 <p>LS6075BBFAA</p>		 <p>Legend(lx) Max = 74.2 Height = 5.00m</p>
 <p>LS6076ABFAA</p>		 <p>Legend(lx) Max = 431 Height = 6.00m</p>
 <p>LS6076BBFAA</p>		 <p>Legend(lx) Max = 74.2 Height = 5.00m</p>

LG PLS

PLASMA LIGHTING SYSTEM



088

LG PLS HIGH-BAY

700W

LG PLS FLOOD LIGHT

1kW / 1.8kW

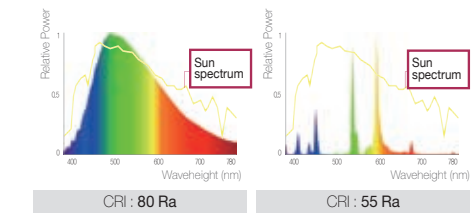


LG PLS HIGH-BAY / FLOOD LIGHT

ANOTHER SUN

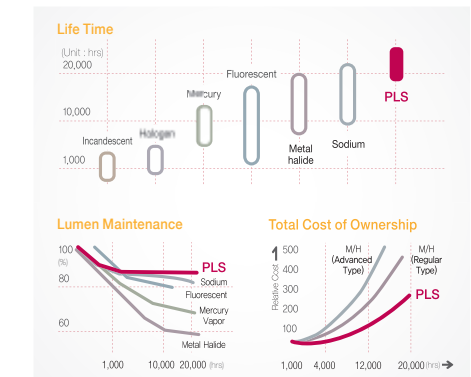
Full and continuous spectrum like Sunlight, reproducing the original color effectively.

Spectral Distribution
 PLS 700W Model *Better color reproduction with high CRI
 A-Company's 400W Model



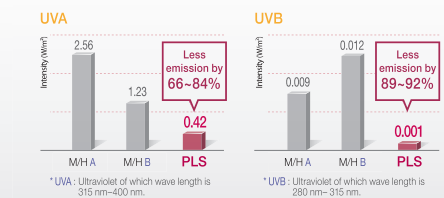
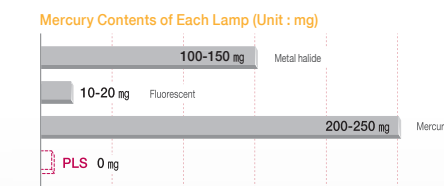
SAVE ENERGY

Significant energy saving by long lifetime and good lumen maintenance.



NATURAL AND COMFORTABLE

No harmful contents and less ultraviolet rays which are good for human health.



LG PLS(Plasma Lighting System) is a new concept, using microwaves which provide more natural and more comfortable lighting environment.

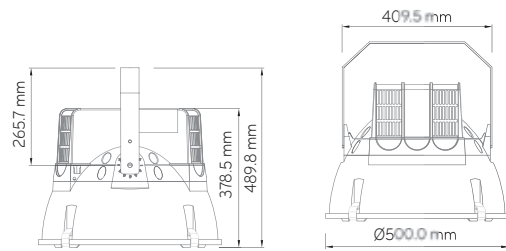


LG PLS HIGH-BAY

700W



HIGH-BAY 700W



MODEL.NO		PSH0731B	PSH0731B	PSH0731B
POWER	W	730	730	730
CCT	K	4,500	6,500	7,500
LUMINOUS FLUX	lm	54,000	59,000	58,500
LUMINOUS EFFICACY	lm/W	74	81	80
CRI	Ra	75	79	80
CHROMATICITY COORDINATE	(X, Y)	(0.36, 0.45)	(0.31, 0.38)	(0.29, 0.36)
BEAM ANGLE	°	50 / 90 / 120	50 / 90 / 120	50 / 90 / 120
DIMMING	-	-	-	-
NET WEIGHT	kg	20	20	20
POWER FACTOR	-	0.95	0.95	0.95
OPERATING TEMPERATURE	°c	-20~+40	-20~+40	-20~+40
IP	-	IP20	IP20	IP20
INPUT VOLTAGE	V/AC	220-240	220-240	220-240
INSTALLATION	-	Pendant	Pendant	Pendant

*The specifications and certification may be subject to change without prior notice.

PHOTOMETRIC DATA



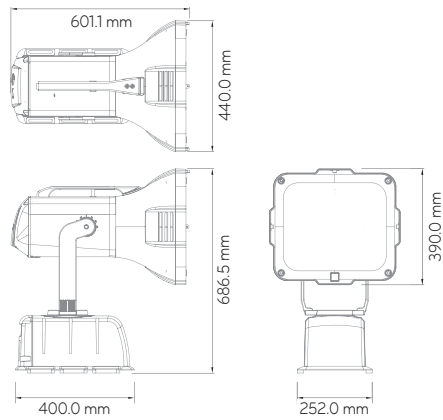
Product	Luminance Intensity Distribution	Cone Lux Diagram
BEAM ANGLE = 50° PSH0731B		
BEAM ANGLE = 90° PSH0731B		
BEAM ANGLE = 120° PSH0731B		

LG PLS FLOOD LIGHT

1kW



FLOOD LIGHT 1kW



MODEL.NO		PSF1032A	PSF1032A	PSF1032A
POWER	W	1,000	1,000	1,000
CCT	K	5,500	6,500	7,500
LUMINOUS FLUX	lm	91,000	89,000	87,000
LUMINOUS EFFICACY	lm/W	91	89	87
CRI	Ra	76	78	80
CHROMATICITY COORDINATE	(X, Y)	(0.34, 0.43)	(0.31, 0.38)	(0.29, 0.36)
BEAM ANGLE	°	10 / 20 / 60	10 / 20 / 60	10 / 20 / 60
DIMMING	-	-	-	-
NET WEIGHT	kg	21	21	21
POWER FACTOR	-	0.95	0.95	0.95
OPERATING TEMPERATURE	°c	-20~+40	-20~+40	-20~+40
IP	-	IP55	IP55	IP55
INPUT VOLTAGE	V/AC	220-240	220-240	220-240
INSTALLATION	-	Bracket	Bracket	Bracket

*The specifications and certification may be subject to change without prior notice.

PHOTOMETRIC DATA



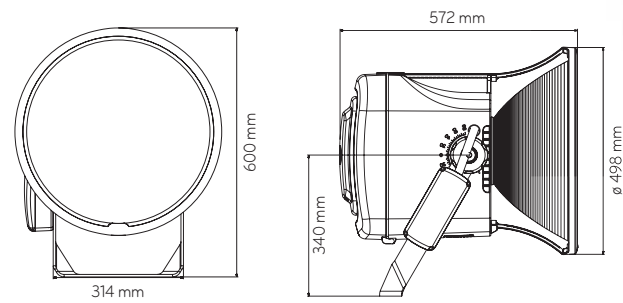
Product	Luminance Intensity Distribution	Cone Lux Diagram
<p>BEAM ANGLE = 10°</p> <p>PSF1032A</p>		
<p>BEAM ANGLE = 20°</p> <p>PSF1032A</p>		
<p>BEAM ANGLE = 60°</p> <p>PSF1032A</p>		

LG PLS FLOOD LIGHT

1.8kW



FLOOD LIGHT 1.8kW



MODEL.NO	PSF1831A	
POWER	W	1,850
CCT	K	7,500
LUMINOUS FLUX	lm	180,000
LUMINOUS EFFICACY	lm/W	97
CRI	Ra	80
CHROMATICITY COORDINATE	(X, Y)	(0.29, 0.36)
BEAM ANGLE	°	6 / 10 / 20 / 30 / 40
DIMMING	-	-
NET WEIGHT	kg	19
POWER FACTOR	-	0.99
OPERATING TEMPERATURE	°C	-20~+40
IP	-	IP55 (IP65 Lamp & Power Supply Only)
INPUT VOLTAGE	V/AC	220-240
INSTALLATION	-	Bracket

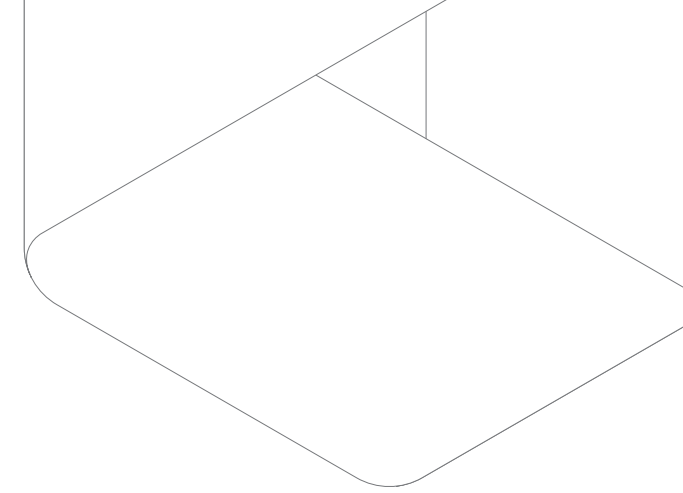
*The specifications and certification may be subject to change without prior notice.

PHOTOMETRIC DATA



Product	Luminance Intensity Distribution	Cone Lux Diagram
BEAM ANGLE = 6° PSF1831A		
BEAM ANGLE = 10° PSF1831A		
BEAM ANGLE = 20° PSF1831A		
BEAM ANGLE = 30° PSF1831A		
BEAM ANGLE = 40° PSF1831A		

LG LED LIGHTING REFERENCE SITE



LG TWIN TOWER, SEOUL, KOREA
LED FLAT LIGHT / LED DOWNLIGHT
LED PAR30



LG ELECTRONICS DEUTSCHLAND, GERMANY
LED FLAT LIGHT / LED DOWNLIGHT



ARC LOFT ACARLAR, TURKEY
LED DOWNLIGHT



AL SHIBA, UAE
LED DOWNLIGHT



EVKUR, TURKEY
LED DOWNLIGHT



YAPI KREDI BANK, TURKEY
LED FLAT LIGHT



SAFA GOLD MALL, PAKISTAN
LED DOWNLIGHT / LED TUBE

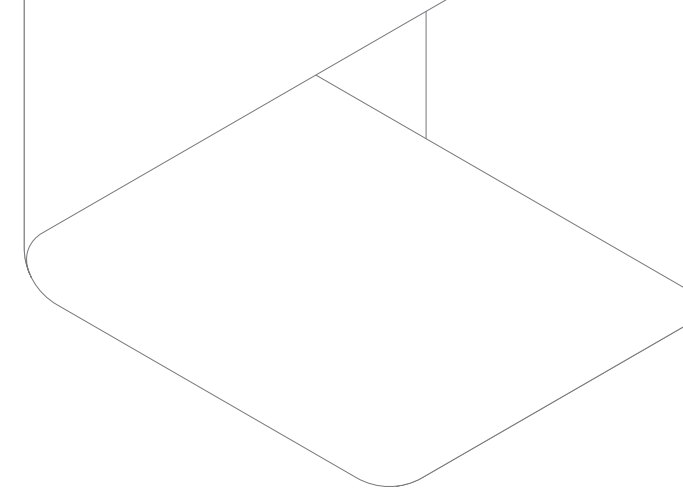


DEWA, UAE
LED FLAT LIGHT / LED DOWNLIGHT



EMIRATE NBD, UAE
LED FLAT LIGHT / LED DOWNLIGHT

LG LIGHTING PLS REFERENCE SITE



SANGNOK GOLF RESORT, KOREA
PLS 1kW



SHARJAH AIRPORT, UAE
PLS 700W



SOCHI MEDIA CENTER, RUSSIA
PLS 700W



TORRE TOWER, BRAZIL
PLS 1kW



IMPERIAL WAR MUSEUM, UK
PLS 700W



GONJIAM SKI RESORT, KOREA
PLS 1kW

LG LED LIGHTING CASE STUDY

BACKGROUND

LG Twin Tower, located in Yeoido, is the headquarter of LG Group that covers 14,733 m² of land and 157,835 m² of gross floor space. The two buildings have 3 underground levels and 34 ground levels with a seating capacity of over 10,000. Since the construction in 1987, LG Twin Tower has required no repair work. However, the equipment installed throughout the buildings had become obsolete, while the maintenance costs and energy costs continued to grow. As a landmark of Seoul, LG started to renovate the building in June 2010, in order to enhance LG brand image and to improve the working conditions. Three main purposes of this renovation project were to bring about greater eco-friendliness for greater energy savings, to create a modern working environment and to provide a comfortable working space with new equipment. To achieve this, it required a significant improvement of the lighting system which accounts for 30% of energy consumption in large buildings. To provide an optimal environment, it must be environmentally friendly and compatible with the existing facilities allowing integrated control system. These are the reasons behind the selection of LG LED Lighting.

CHALLENGE

With fluorescent lights' high energy consumption, there was always a big burden on overall energy costs. Moreover, with the rising issue of energy cost regulation for big buildings, we needed a new solution. Fluorescent lights are short-lived, while they also require higher maintenance costs, as around 400 fluorescent lights have to be changed daily. Due to replacement, labor and disposal costs, the fluorescent light really was wasteful." (Pan-Sik Choi, senior research engineer of Serveone) The biggest problem before the renovation was the electricity cost of conventional lighting and the maintenance costs of deteriorated equipment. With two buildings each having 34 floors, the total number of fluorescent lights was over 50,000. Hundreds of fluorescent lights with a maximum life span of 8,000 hours need to be changed every day. As the government's regulation is becoming stricter, more effective energy saving solutions were desperately needed. Lighting with minimum power consumption was needed, as well as eco-friendliness and integrated control optimized for a high technology working environment.

SOLUTION

The scale of the project was unprecedented, as it installed the country's largest working space with LED lighting and control. Therefore, we needed a brand equipped with better quality and solutions that went beyond simple lighting service. "Perhaps replacing just lighting is not that difficult. But, the management system for controlling them was vital." (Min-Kwang Lee, senior research engineer of LGE) LG Electronics suggested the following three key factors for Twin Tower's renovation process.

EFFICIENCY : Effective energy saving technology

LG LED flat light, which replaced 80W conventional fluorescent lights, has a power consumption of 53W while bringing 20-30 percent in energy savings. In addition, with the daylight sensor and the dimming function, up to 80 percent of energy savings are possible. Illumination reduced by 50 percent can fully light up the working space, while the daylight sensor installed at each window can recognize outdoor daylight automatically and transmit a signal to help maintain optimal indoor illumination. Moreover, a lifespan of 50,000 hours can noticeably reduce the maintenance costs.

COMFORT : Optimal light for users

Another benefit of LG LED flat light is low UGR with less than 19. UGR level below 19 is optimal for the working space, providing workers with proper lighting for writing, reading and computer work. Conventional fluorescent lights have UGR levels between 22-23, which can cause stress for office workers who spend extensive time under the lights. Additionally, LG LED is eco-friendly and brings long-term health benefits, as it does not emit mercury, lead, ultraviolet rays or infrared rays.

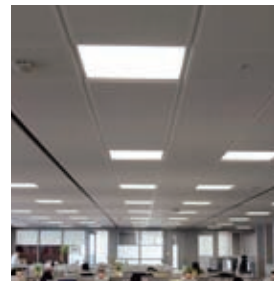
RELIABILITY : Credibility and high quality

LG Twin Tower project has not only 17,000 LG LED flat lights (53W) replacing conventional fluorescent lights, but also 3,000 LED downlights (15W) and 2,000 LED PAR30 (12W) replacing conventional halogen lamps. Particularly, LED flat light is connected together with integrated control systems, making them more credible. "We tested the products on 7th and 33rd floors of the West Tower for two months. During the installation, communication, electricity and cabling were few of the many variables to be managed. So, we plan to have continuous testing and monitoring after the construction for further improvement." (Bong-Geun Jung, senior research engineer of LGE) LG LED Lighting was recognized both internally and externally. American certification company, Underwriters Laboratories(UL), designated LG Electronics R&D center as a UL-authorized testing lab in the green energy sector (e.g. solar, LED lighting). This means LG LED lighting can secure high levels of reliability.

BENEFIT

"Having a total solution technology with the general advantages of LED lighting is only possible with LG. Long lifespan, energy efficiency and control solution combine to save energy costs by up to KRW 10 million." (Pan-Su Choi, senior research engineer of Serveone) The most remarkable achievement after the LG LED lighting installation was energy savings. Twin Tower's power consumption in January greatly declined, recording 1,900,896kWh, reducing up to 310,000kWh compared to January 2010, which was before the renovation. Assuming the average monthly power consumption is 200kWh, Twin Tower's energy consumption is equivalent to 1,550 households each month. Electricity cost was KRW 190 million, enabling savings of KRW 10 million, compared to 2010.

"The best part of moving into the renovated building was the lighting. Compared to the complicated atmosphere with separated fluorescent lights and luminaires, I like the refined design that combines the lighting and ceiling in one. It's also not that glary as before. Each floor has controllable touch panels, so I can turn them on, when I'm working overtime. Besides, I feel much relieved that it contains no pernicious ingredients." (Sang-Woo Lim, LG International) This project proved the reliability and high energy efficiency of LG LED lighting products, as well as its ability to provide an optimal environment for the users. In short, LG LED lighting is expected to be widely recognized.



The very best lighting solution optimized for eco-friendly smart buildings, LG LED Lighting